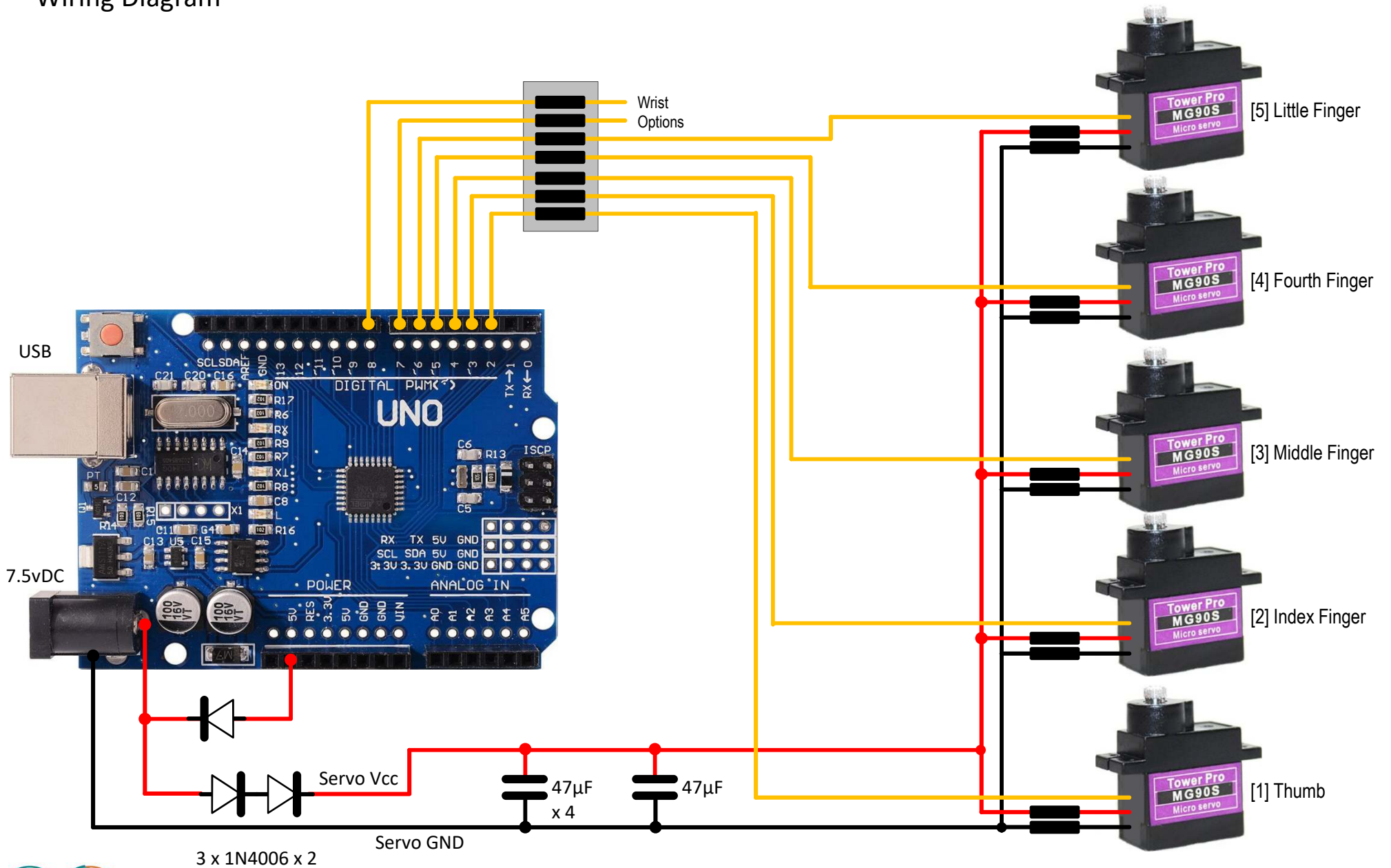
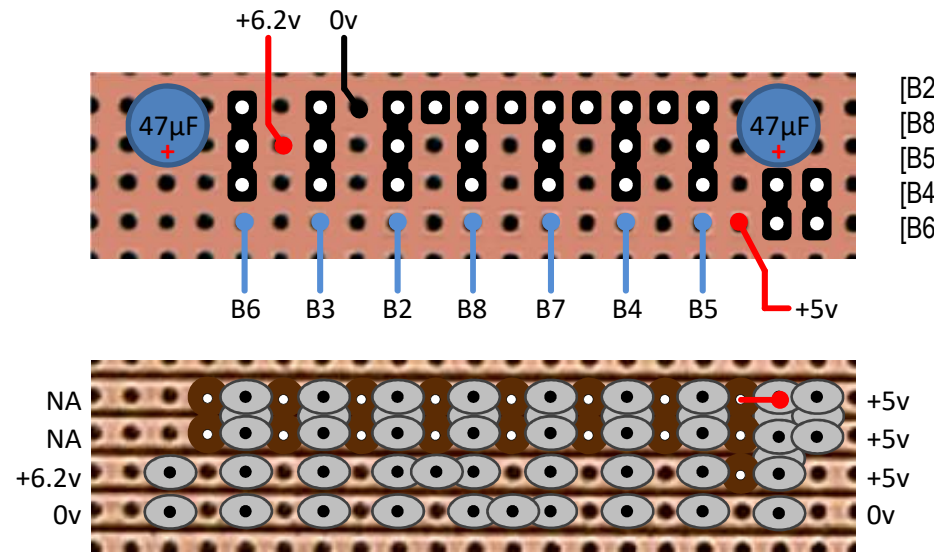
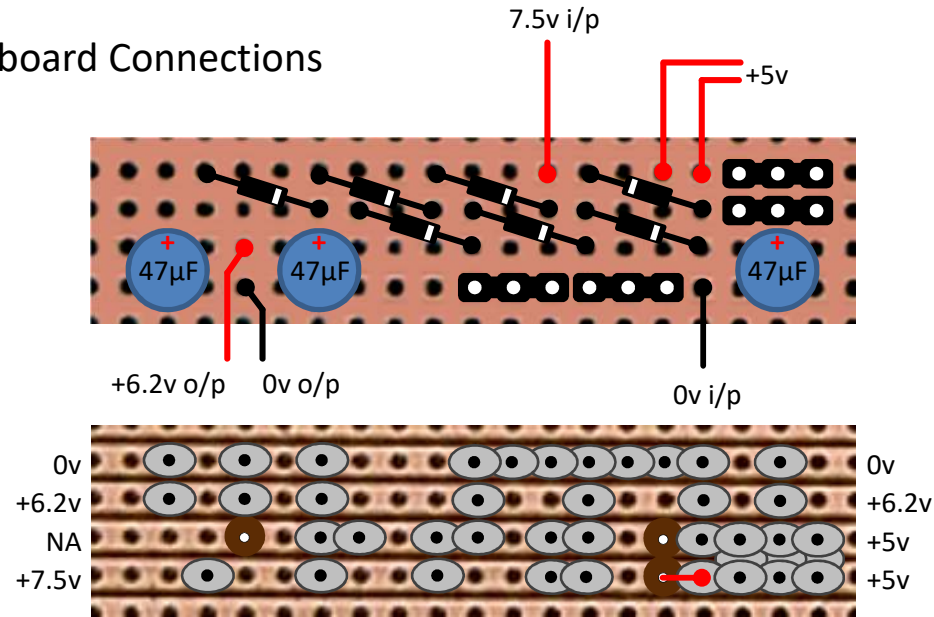


Wiring Diagram



Vero board Connections



- [B2] Thumb
- [B8] Index Finger
- [B5] Middle Finger
- [B4] Fourth Finger
- [B6] Little Finger

