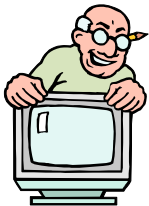
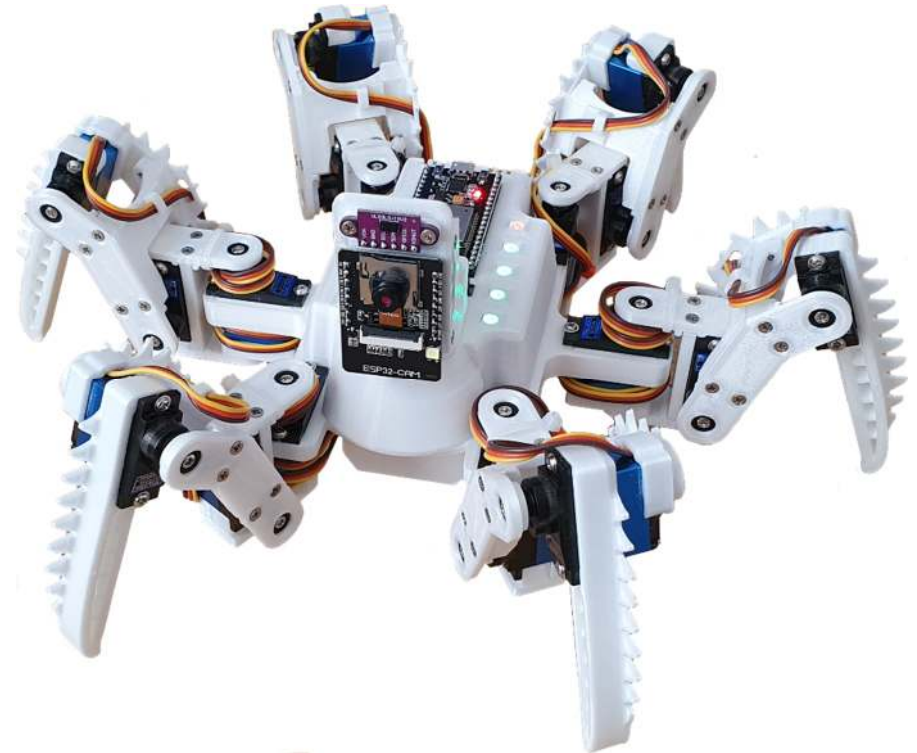
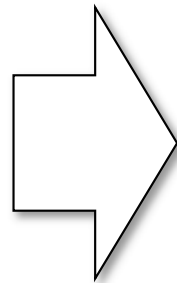
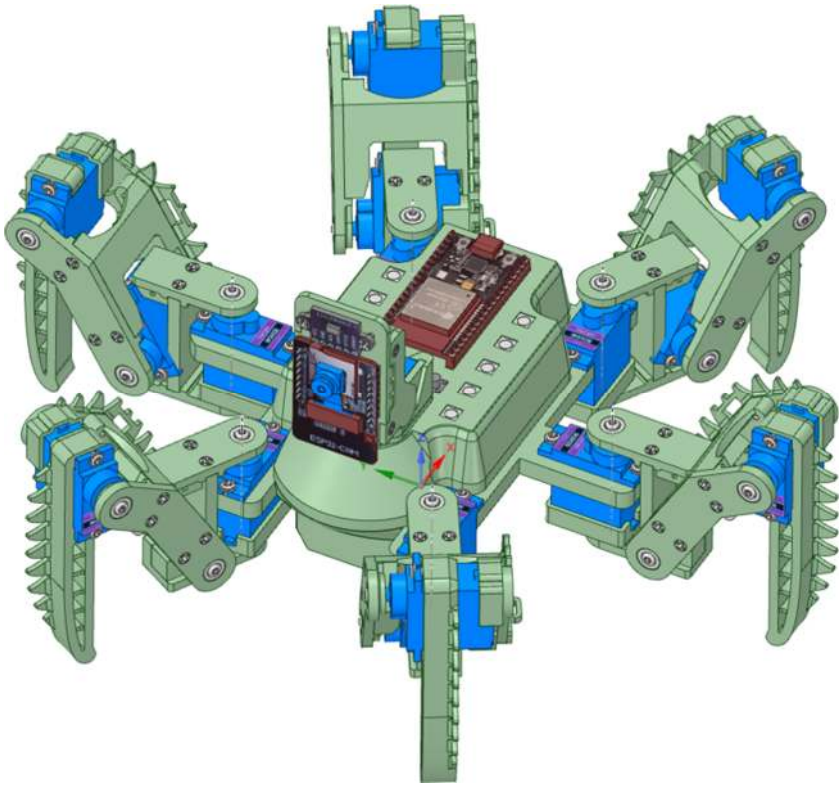


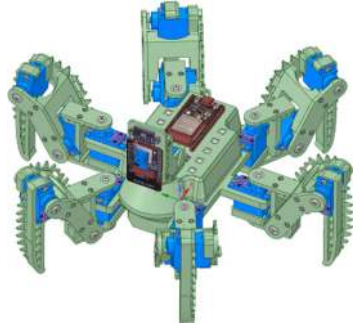
# SpidaBot

## 3D Parts



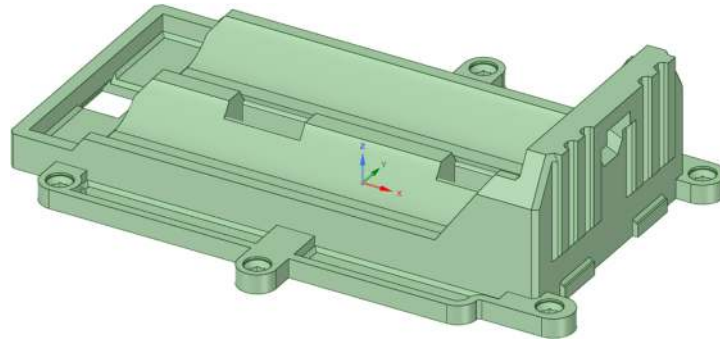
You can download a .zip file containing all of the 3D models for SpidaBot.

# Printed Parts

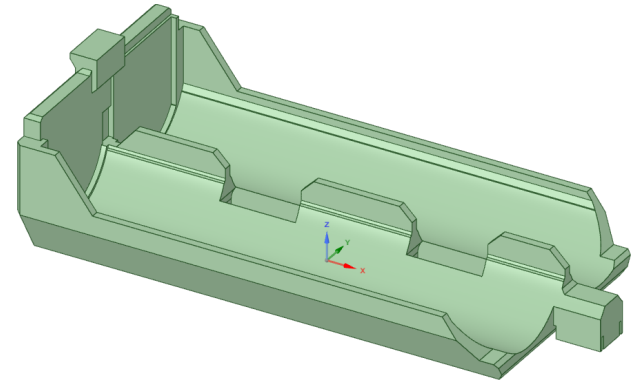


This should help you identify all of the parts needed to build the robot.

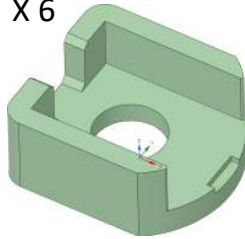
Battery Box Base 00.stl



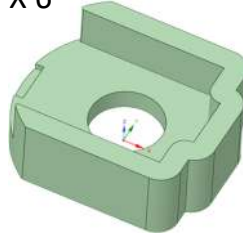
Battery Box Cover 00.stl



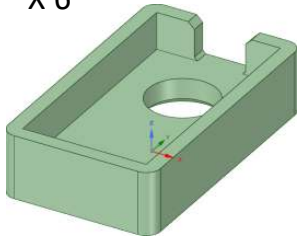
Bearing - Knee 00.stl  
X 6



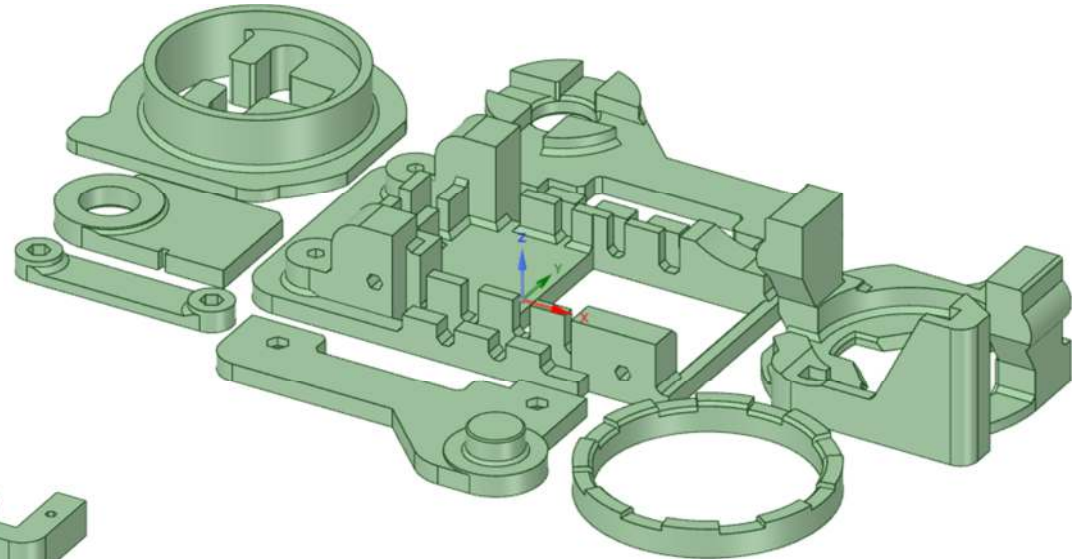
Bearing - Ankle 00.stl  
X 6



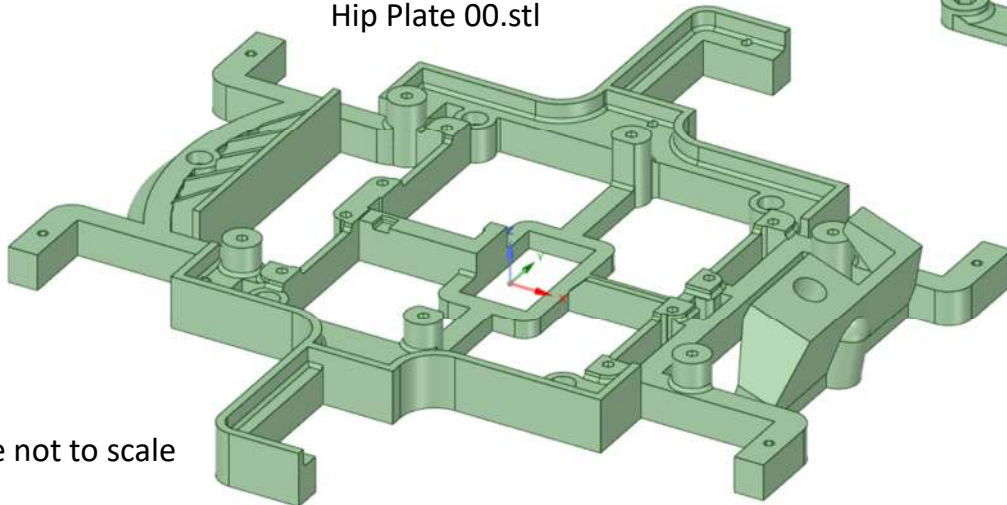
Bearing - Hip 00.stl  
X 6



Head Parts 00.stl

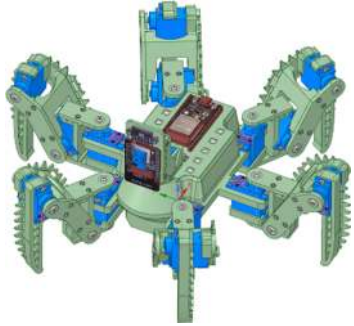


Hip Plate 00.stl

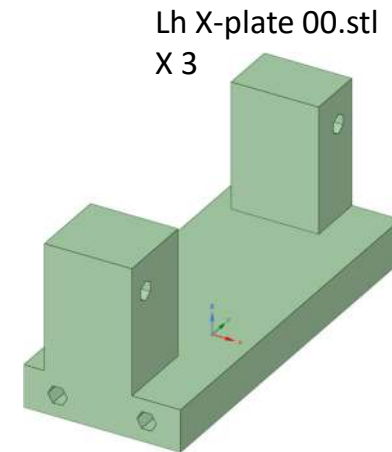
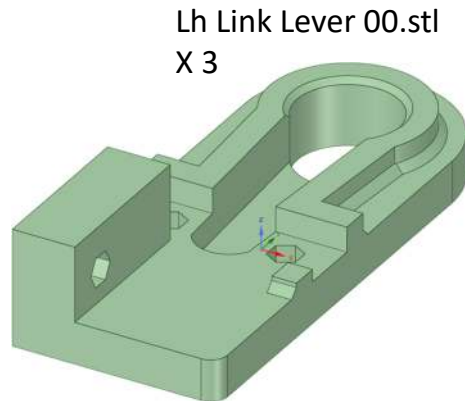
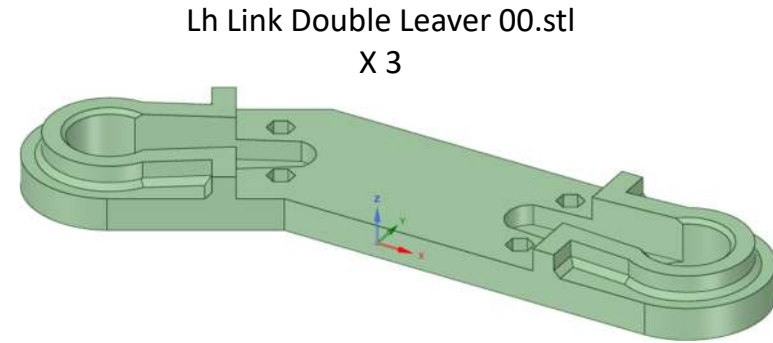
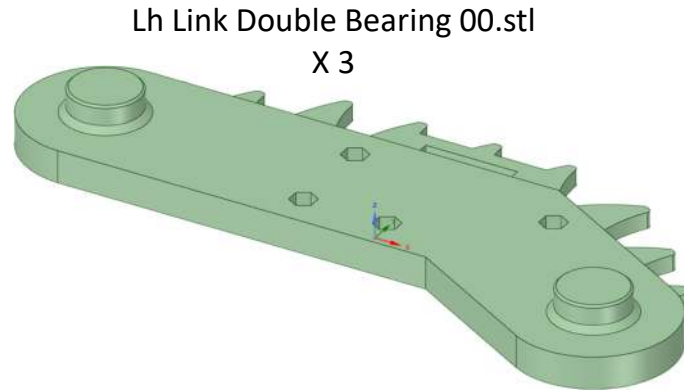
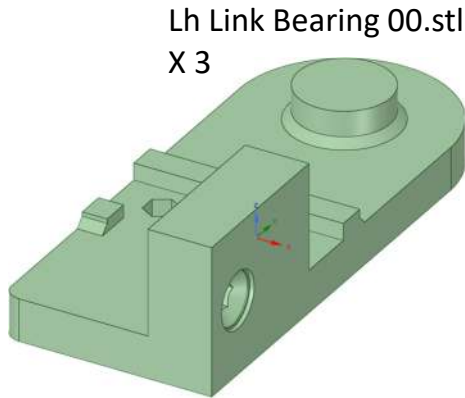
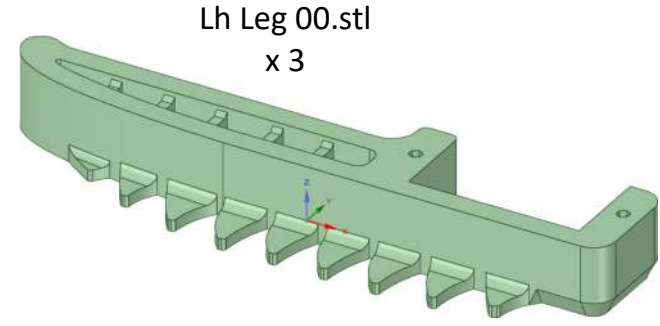
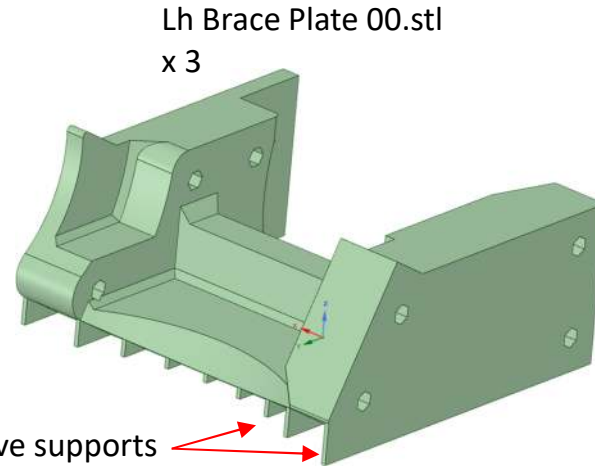
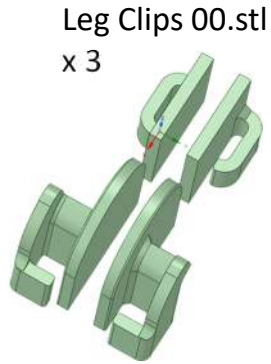


Images are not to scale

# Printed Parts

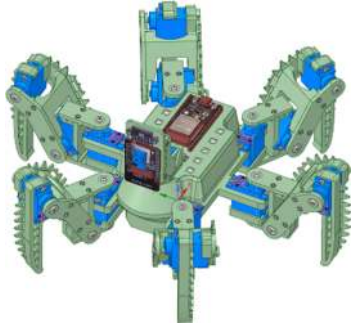


This should help you identify all of the parts needed to build the robot.



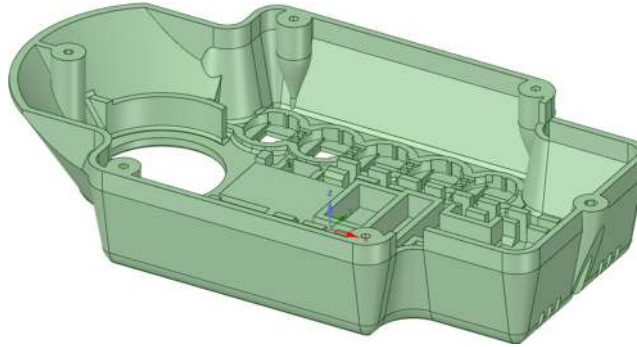
Images are not to scale

# Printed Parts

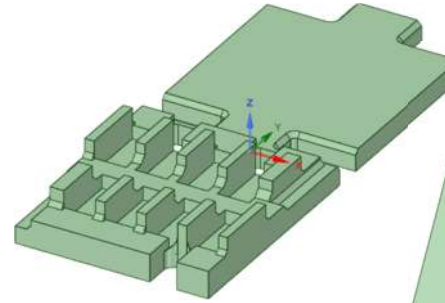


This should help you identify all of the parts needed to build the robot.

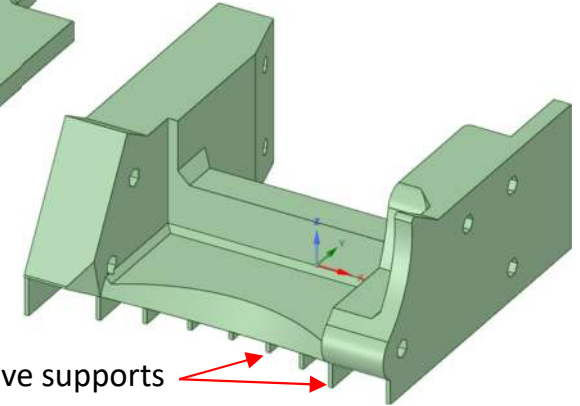
Micro Plate 00.stl



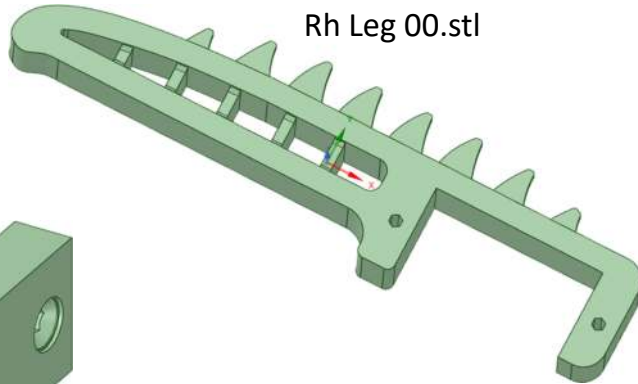
Power Plate 00.stl



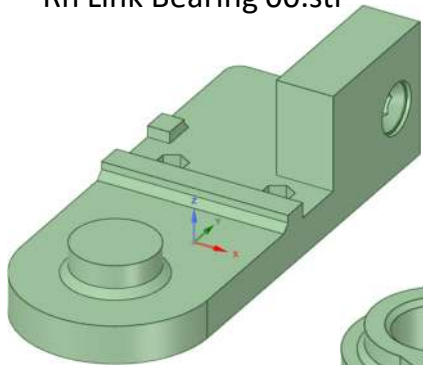
Rh Brace Plate 00.stl



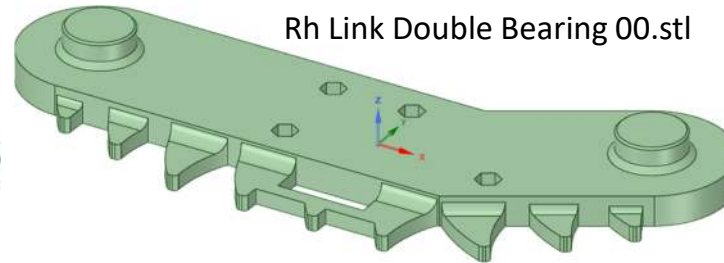
Rh Leg 00.stl



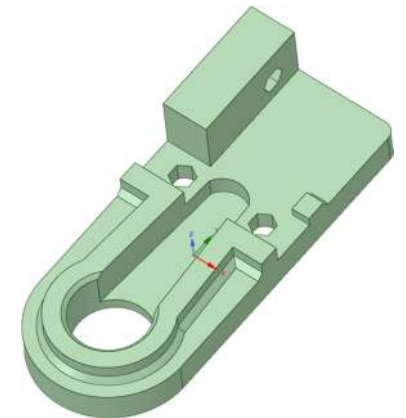
Rh Link Bearing 00.stl



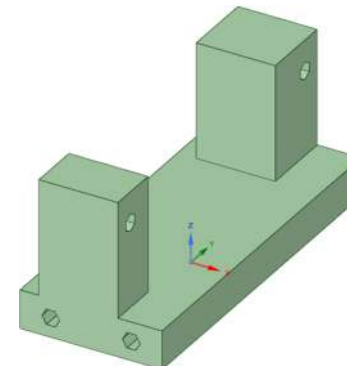
Rh Link Double Bearing 00.stl



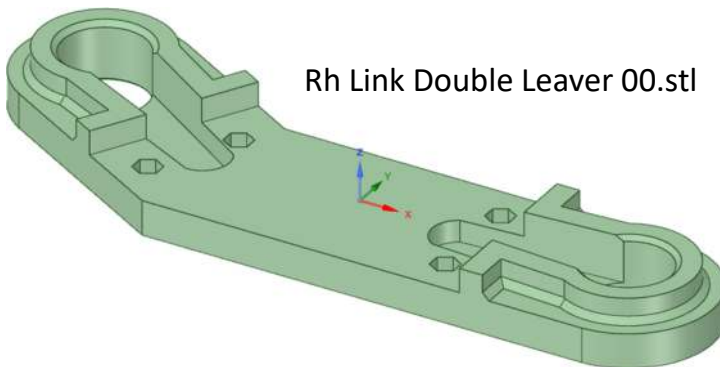
Rh Link Lever 00.stl



Rh X-plate 00.stl

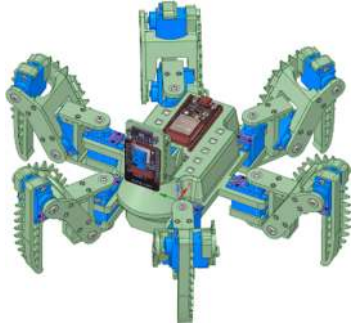


Rh Link Double Leaver 00.stl



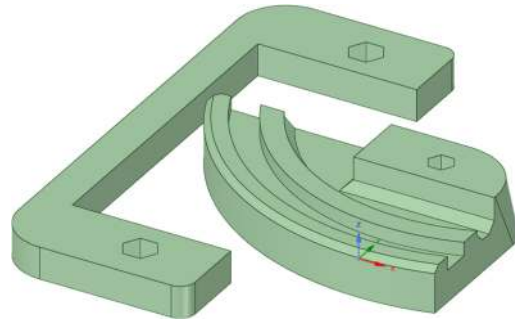
Images are not to scale

# Printed Parts

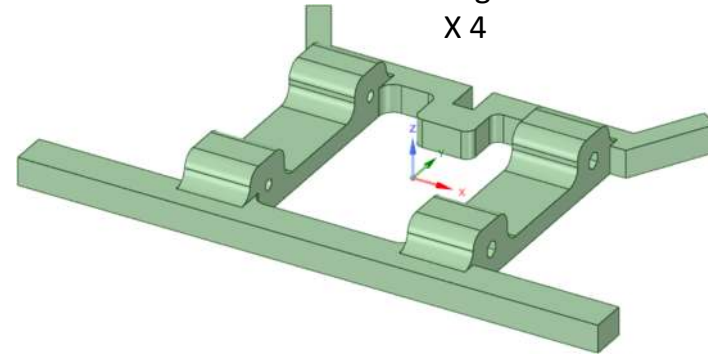


This should help you identify all of the parts needed to build the robot.

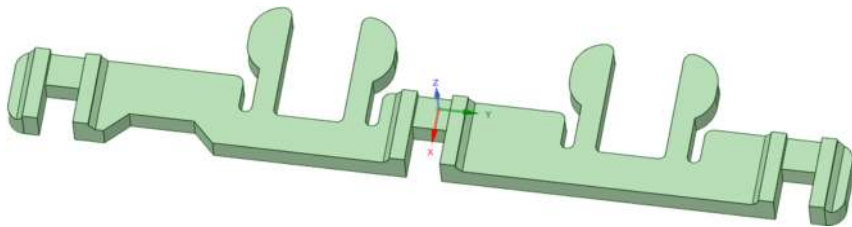
Servo Boss & Clamp 00.stl



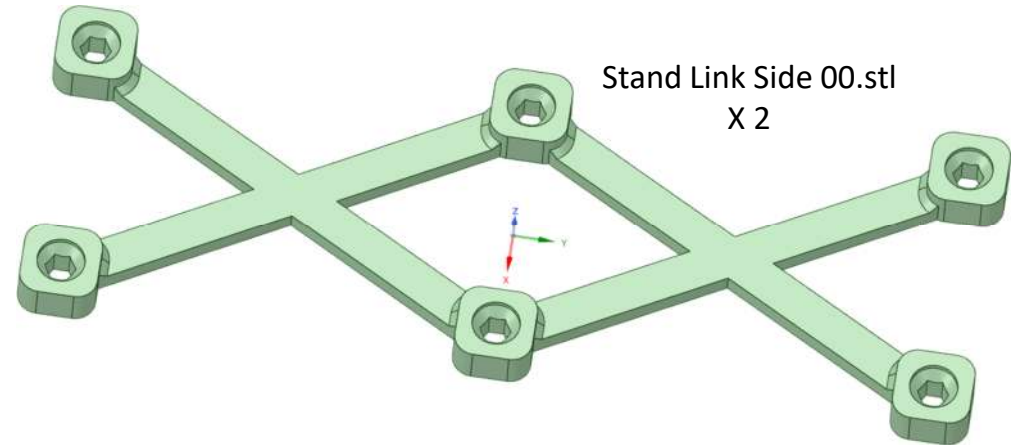
Stand Leg 00.stl  
X 4



Stand Link Centre 00.stl

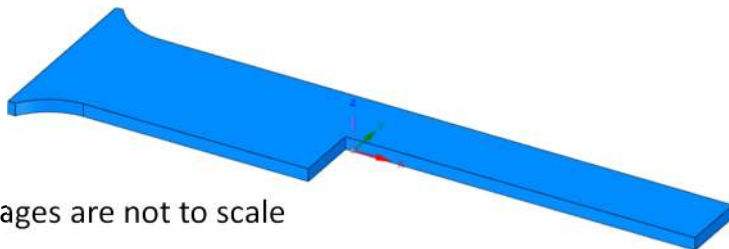


Stand Link Side 00.stl  
X 2

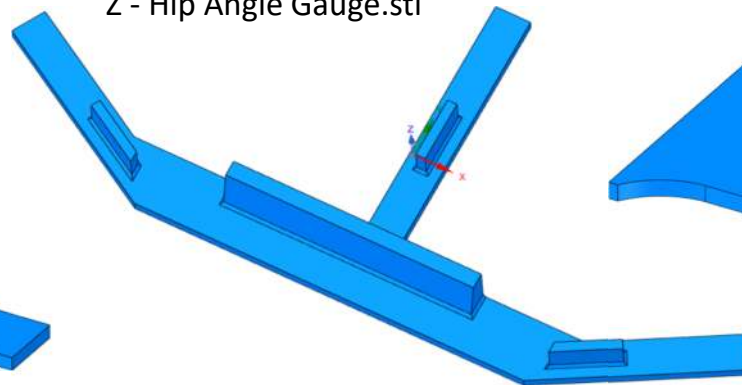


Blue components are assembly aids. Not part of the SpidaBot robot.

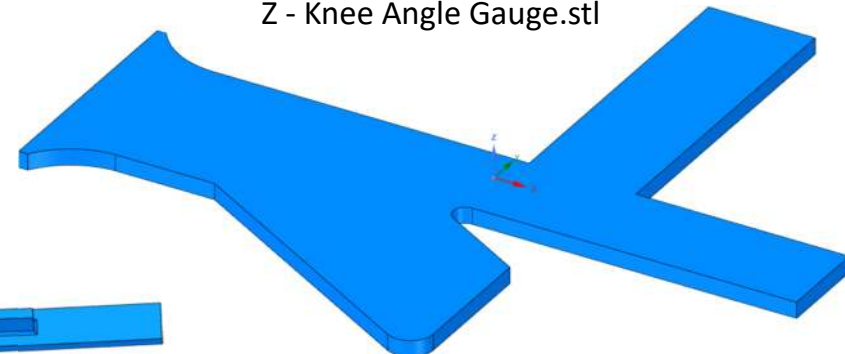
Z - Ankle Angle Gauge.stl



Z - Hip Angle Gauge.stl

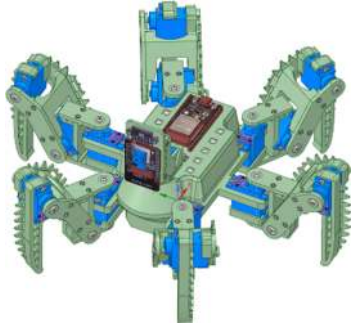


Z - Knee Angle Gauge.stl



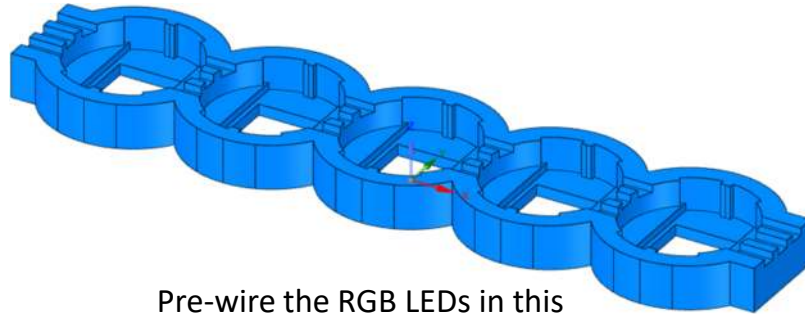
Images are not to scale

# Printed Parts



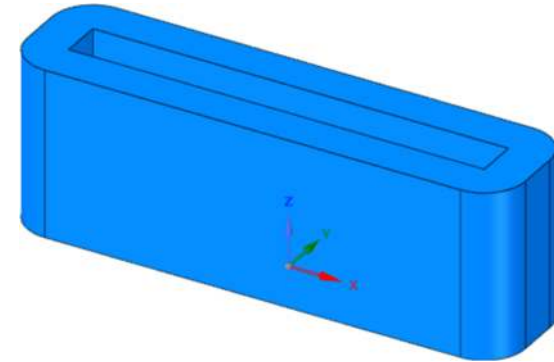
This should help you identify all of the parts needed to build the robot.

Z - LED Strip.stl



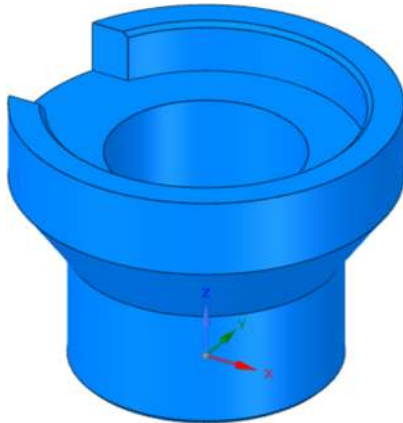
Pre-wire the RGB LEDs in this strip, before transferring to Micro plate body.

Z - Pin Strip Cropping Gauge.stl



Crop I2C connections and diodes.

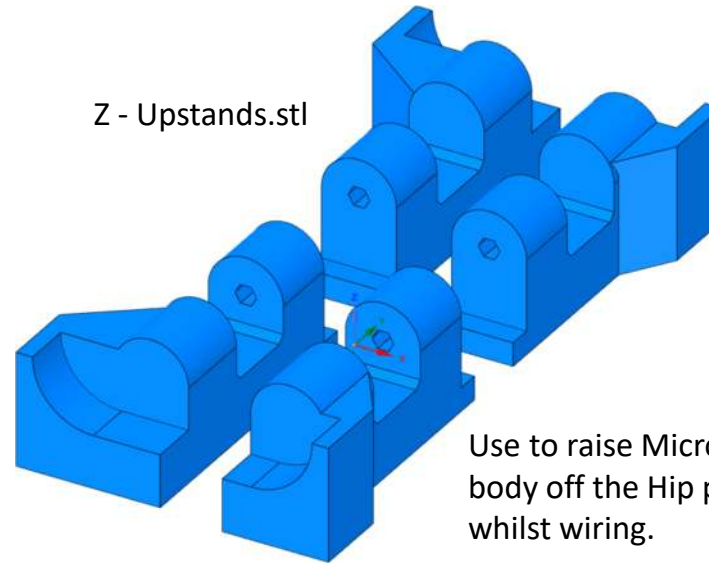
Z - Servo Press Furrel.stl



Used with a clamp, when gluing servo 'Bearing' parts onto the servo bodies.

**Blue** components are assembly aids. Not part of the SpidaBot robot.

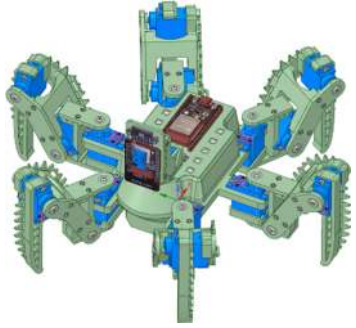
Z - Upstands.stl



Use to raise Micro plate body off the Hip plate, whilst wiring.

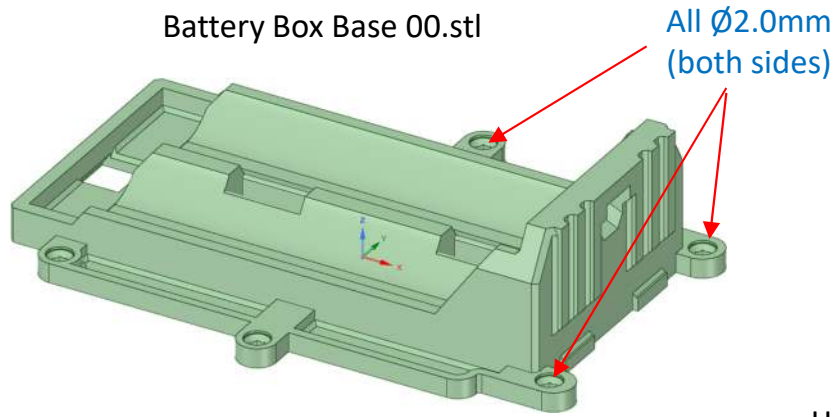
Images are not to scale

# Printed Parts

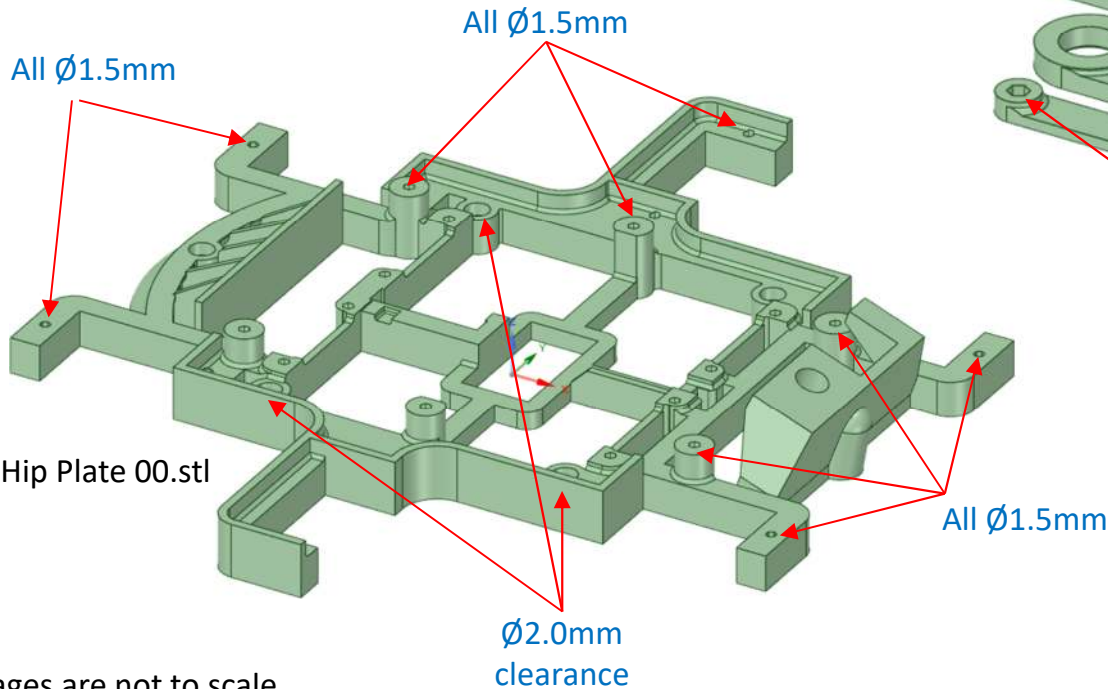
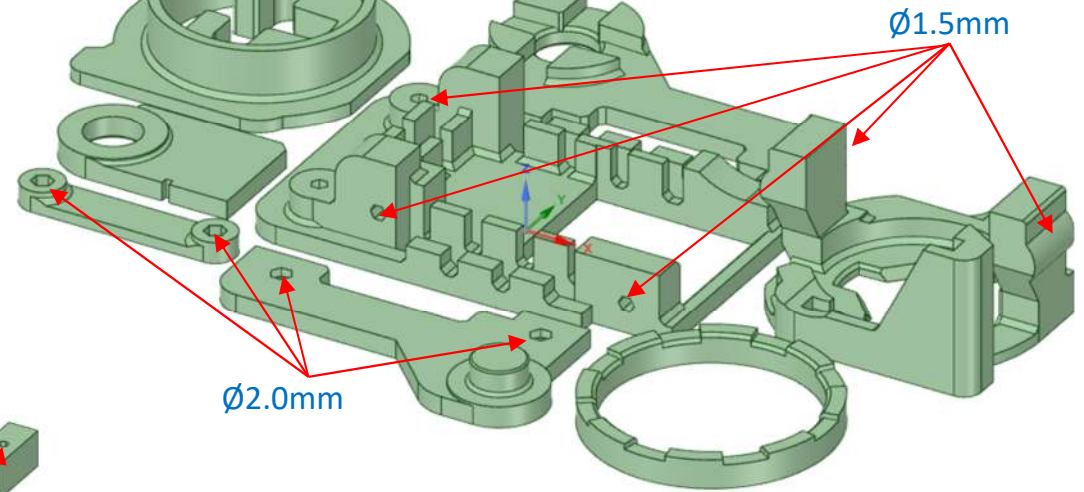


This should help you identify all of the pilot drill and clearance hole sizes.

Battery Box Base 00.stl

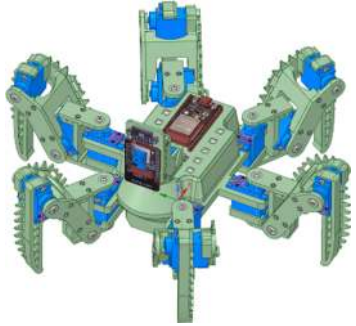


Head Parts 00.stl



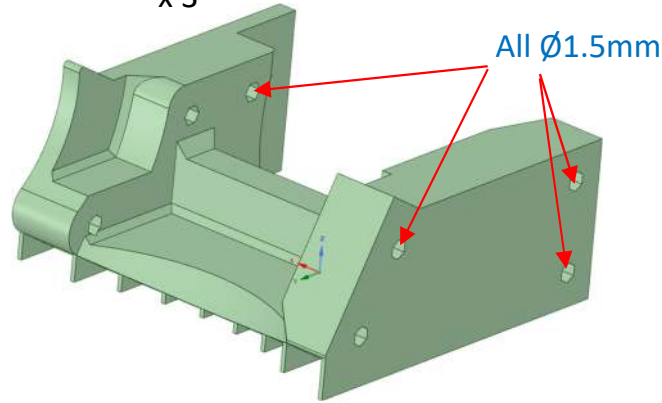
Images are not to scale

# Printed Parts

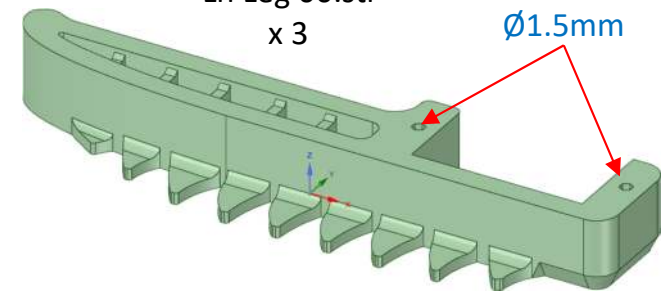


This should help you identify all of the pilot drill and clearance hole sizes.

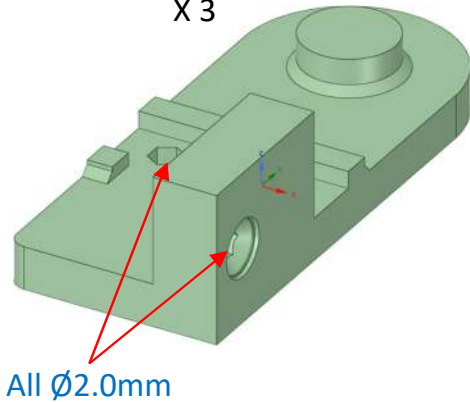
Lh Brace Plate 00.stl  
x 3



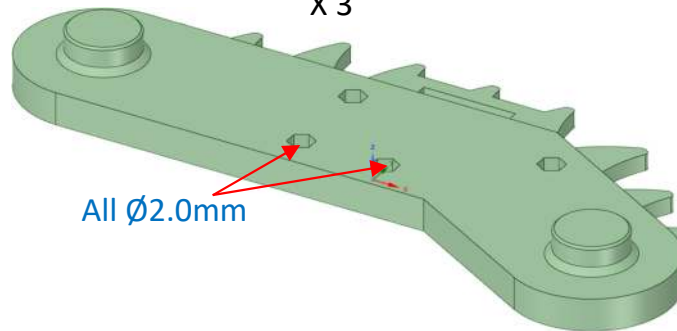
Lh Leg 00.stl  
x 3



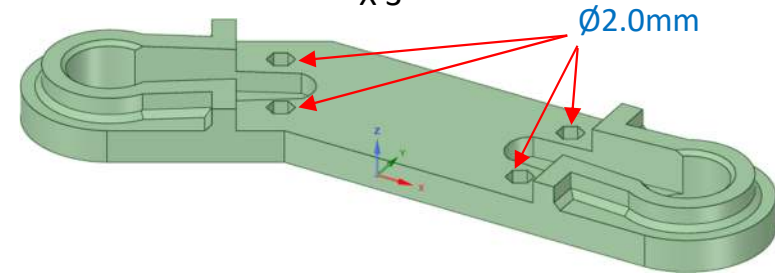
Lh Link Bearing 00.stl  
X 3



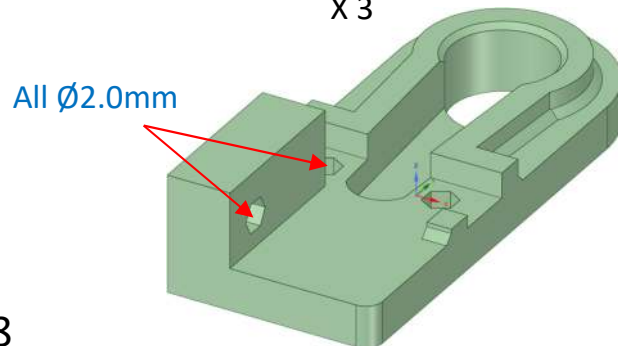
Lh Link Double Bearing 00.stl  
X 3



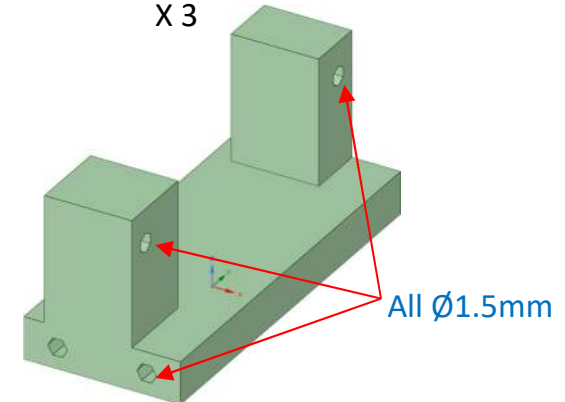
Lh Link Double Lever 00.stl  
X 3



Lh Link Lever 00.stl  
X 3



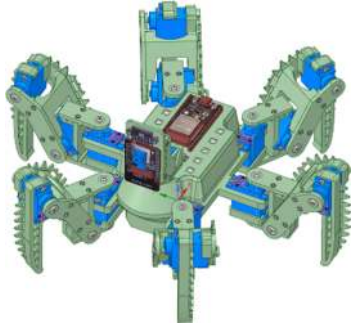
Lh X-plate 00.stl  
X 3



Images are not to scale

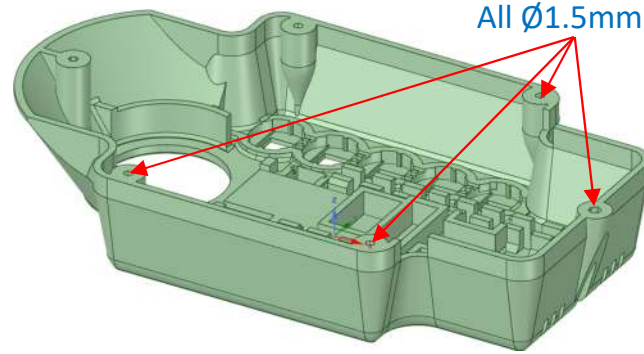


# Printed Parts

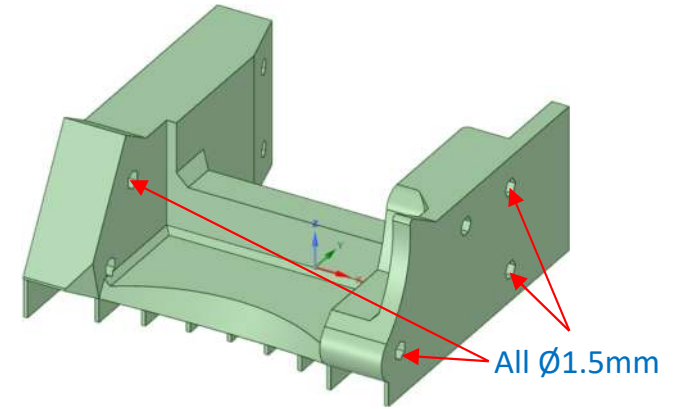


This should help you identify all of the pilot drill and clearance hole sizes.

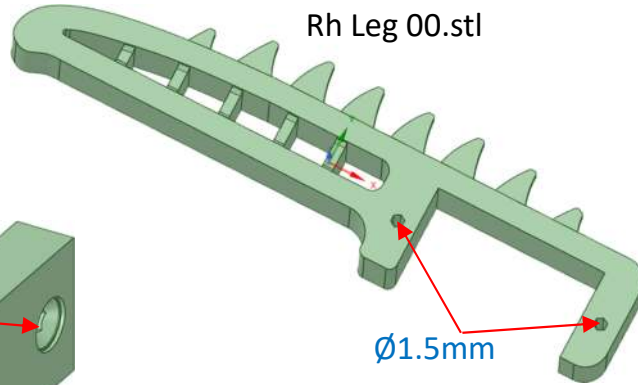
Micro Plate 00.stl



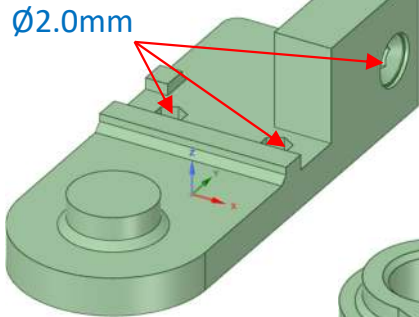
Rh Brace Plate 00.stl



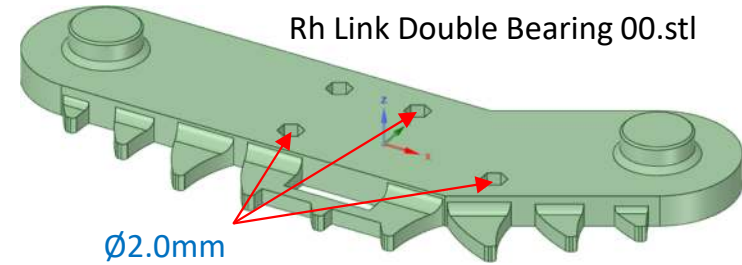
Rh Leg 00.stl



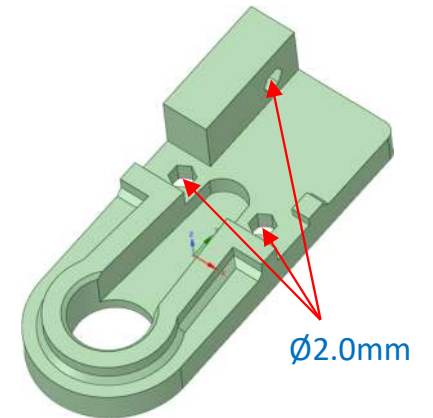
Rh Link Bearing 00.stl



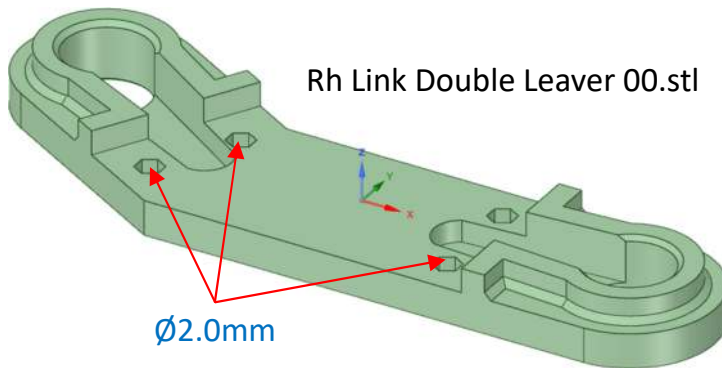
Rh Link Double Bearing 00.stl



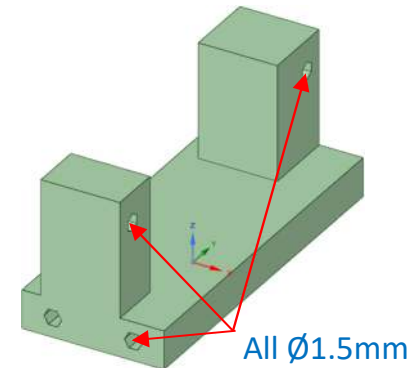
Rh Link Lever 00.stl



Rh Link Double Leaver 00.stl

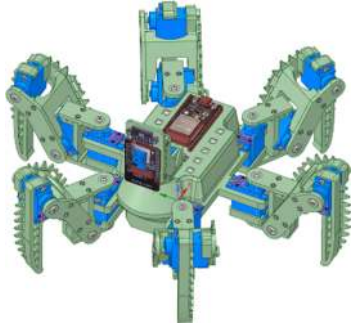


Rh X-plate 00.stl



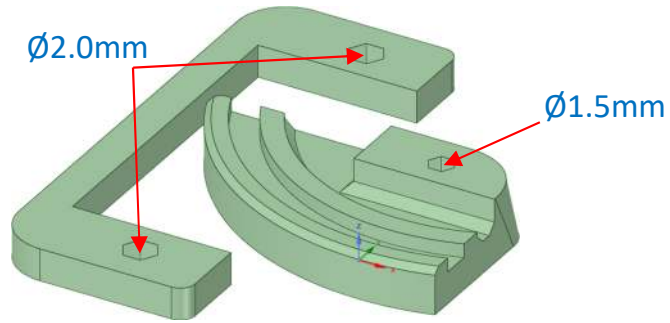
Images are not to scale

# Printed Parts

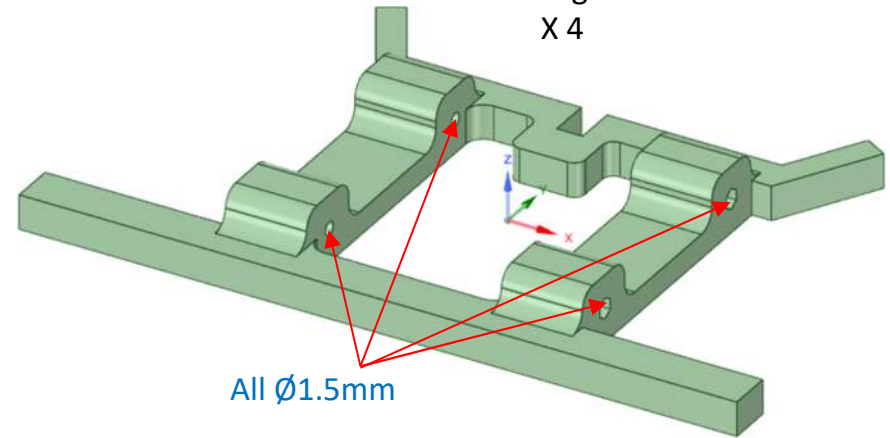


This should help you identify all of the pilot drill and clearance hole sizes.

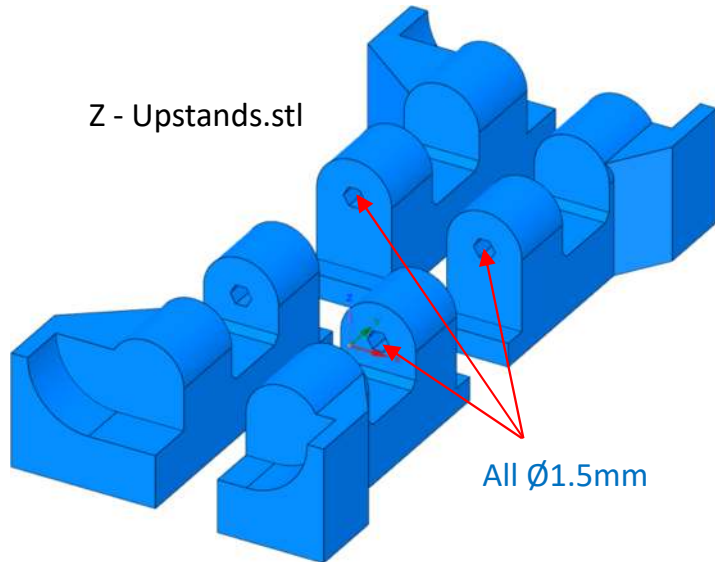
Servo Boss & Clamp 00.stl



Stand Leg 00.stl  
X 4

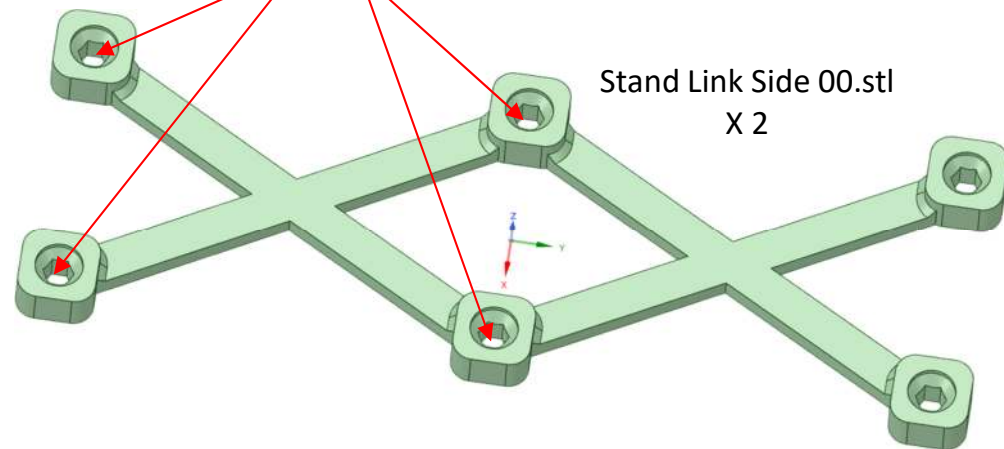


Z - Upstands.stl



All Ø2.0mm

Stand Link Side 00.stl  
X 2



Images are not to scale