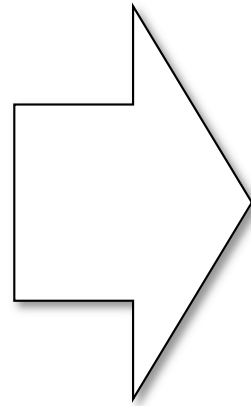
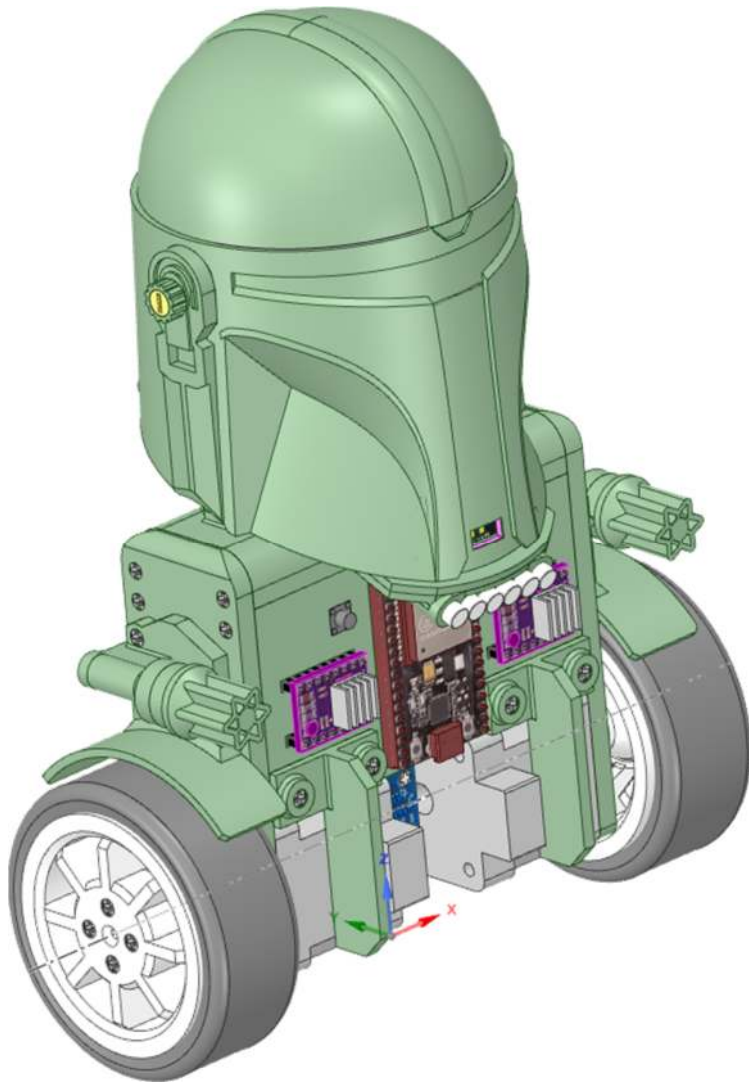
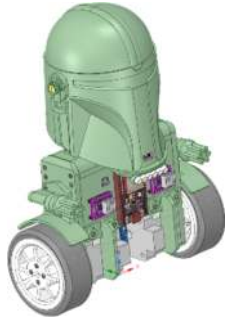


MandalBot BLE

3D Parts

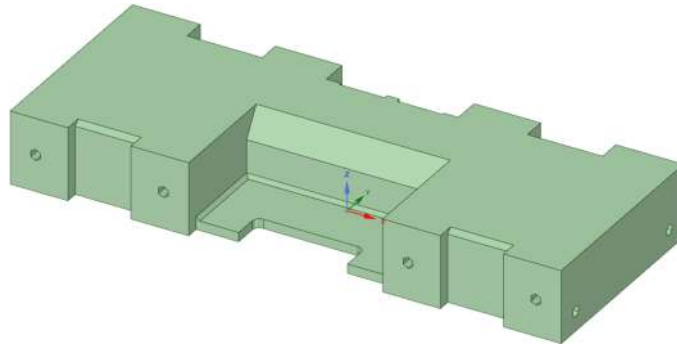


Printed Parts

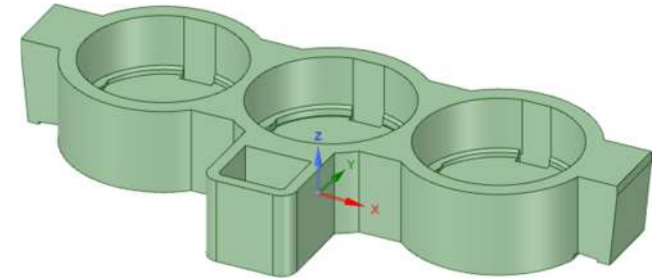


This should help you identify all of the parts needed to build this robot.

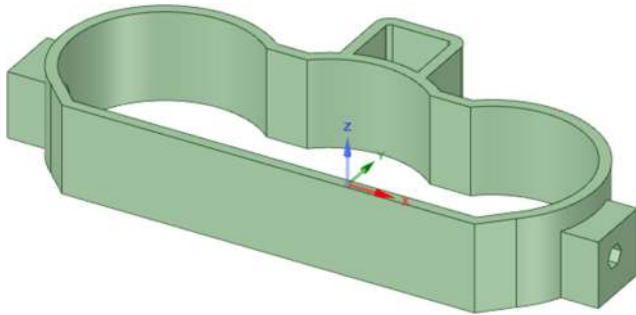
Base Bridge 00.stl



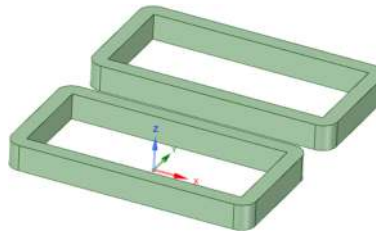
Battery Cover 00.stl



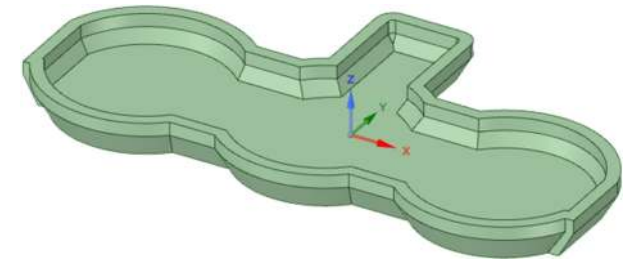
Clamp Ring 00.stl



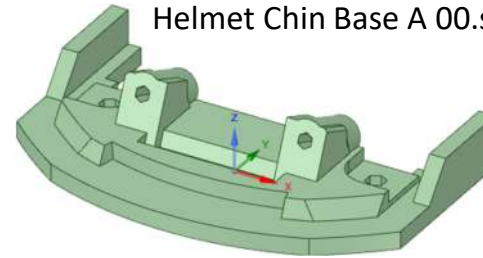
Clamps 00.stl



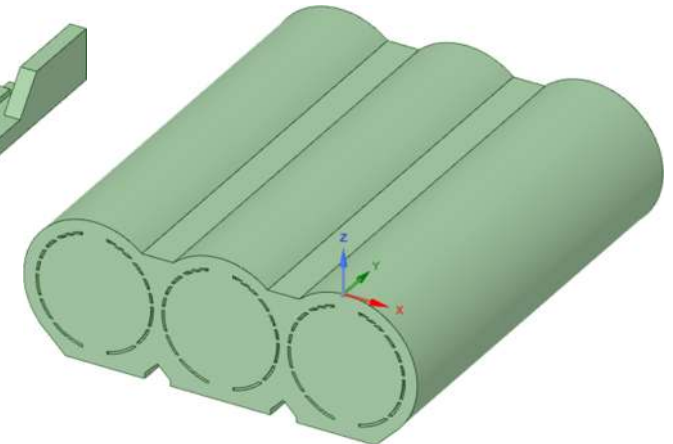
Battery Cover Top 00.stl



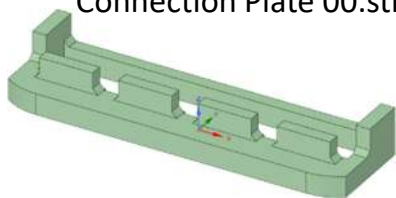
Helmet Chin Base A 00.stl



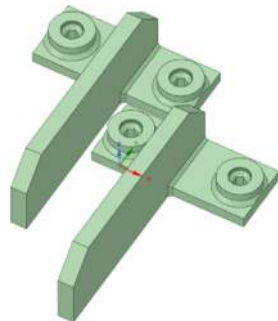
Battery Tubes 00.stl



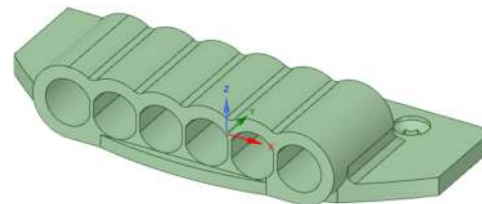
Connection Plate 00.stl



Front Guards 00.stl

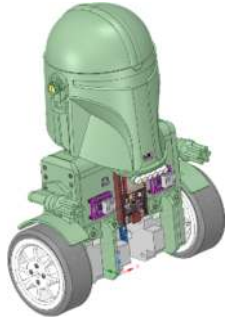


Helmet Chin Base B 00.stl

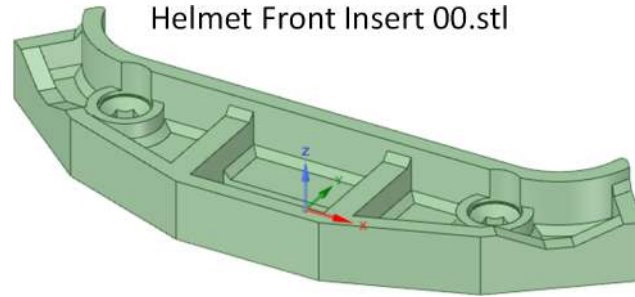


Images are not to scale

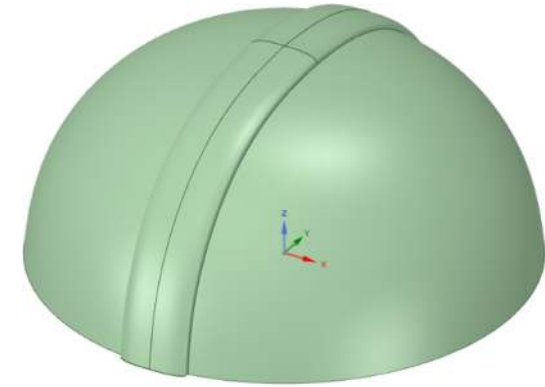
Printed Parts



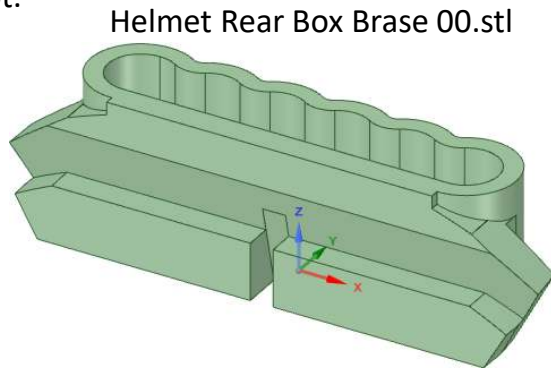
This should help you identify all of the parts needed to build this robot.



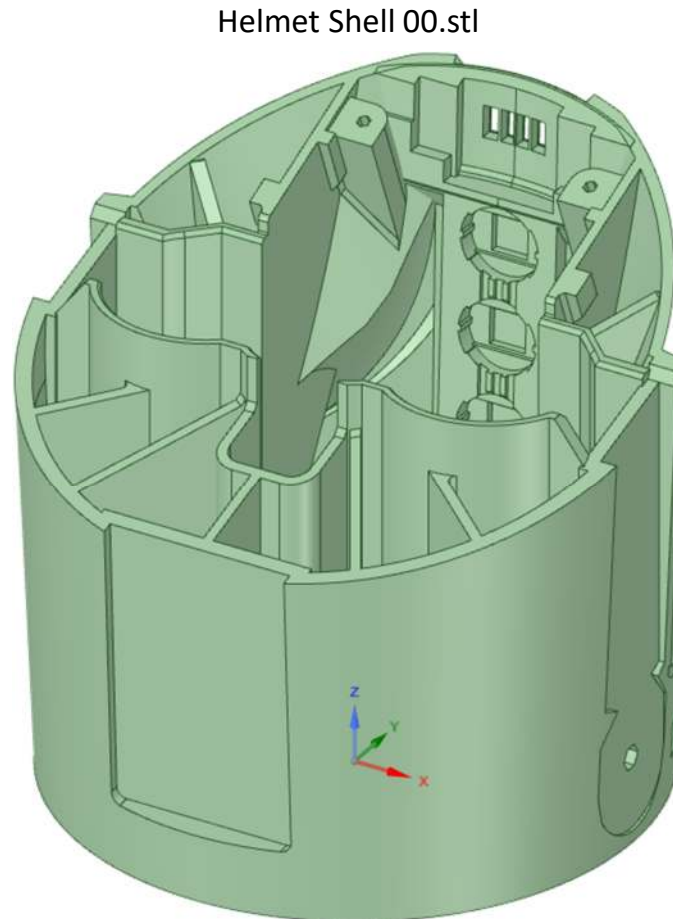
Helmet Front Insert 00.stl



Helmet Lid 00.stl

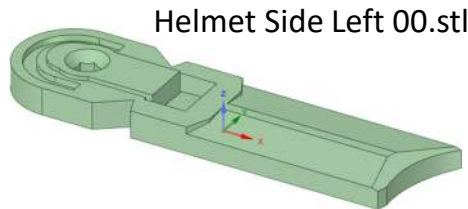
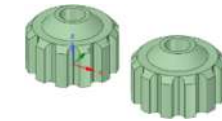


Helmet Rear Box Brase 00.stl

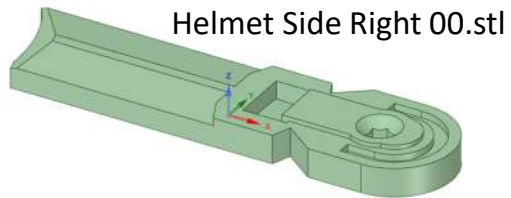


Helmet Shell 00.stl

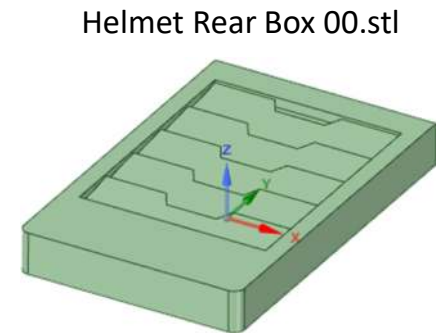
Helmet Nuts 00.stl



Helmet Side Left 00.stl



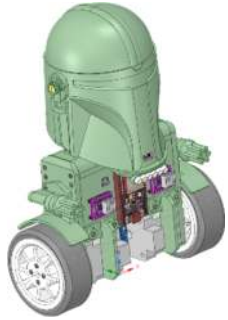
Helmet Side Right 00.stl



Helmet Rear Box 00.stl

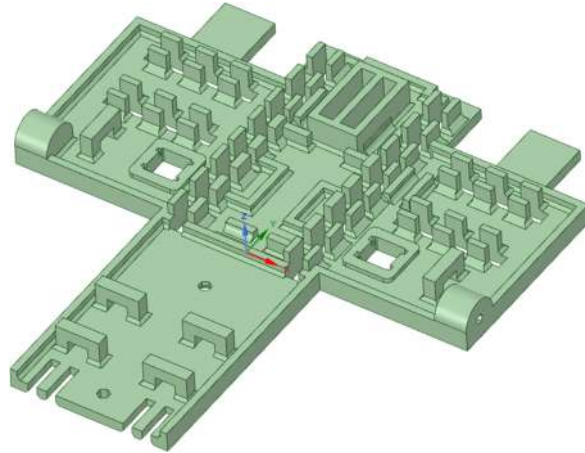
Images are not to scale

Printed Parts

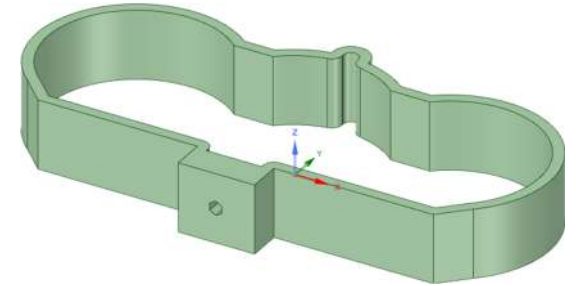


This should help you identify all of the parts needed to build this robot.

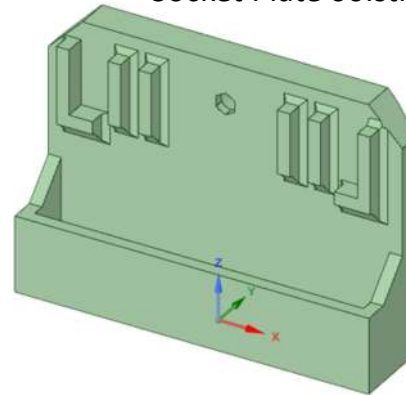
Micro Plate 00.stl



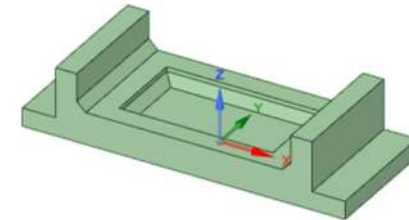
Middle Ring 00.stl



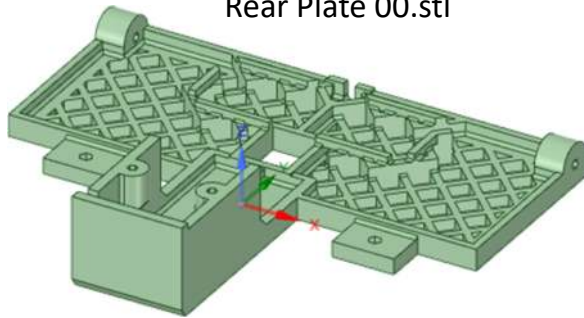
Socket Plate 00.stl



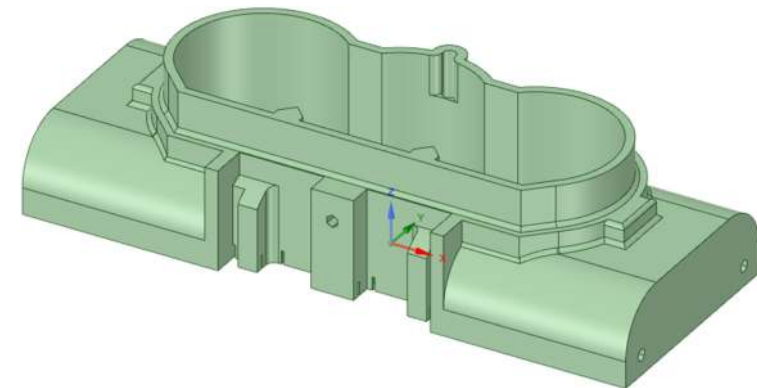
Rear Plate Cover 00.stl



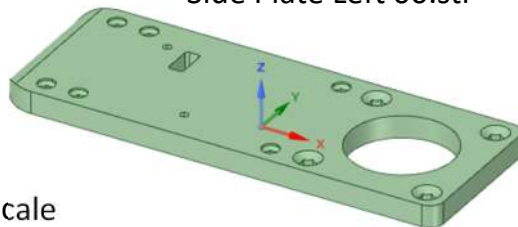
Rear Plate 00.stl



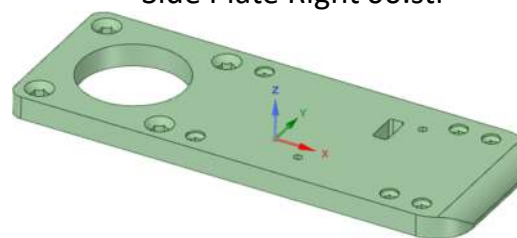
Shoulder Bridge 00.stl



Side Plate Left 00.stl

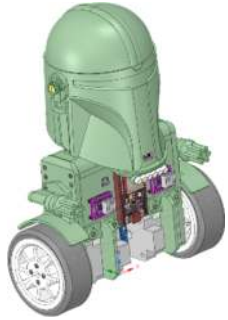


Side Plate Right 00.stl

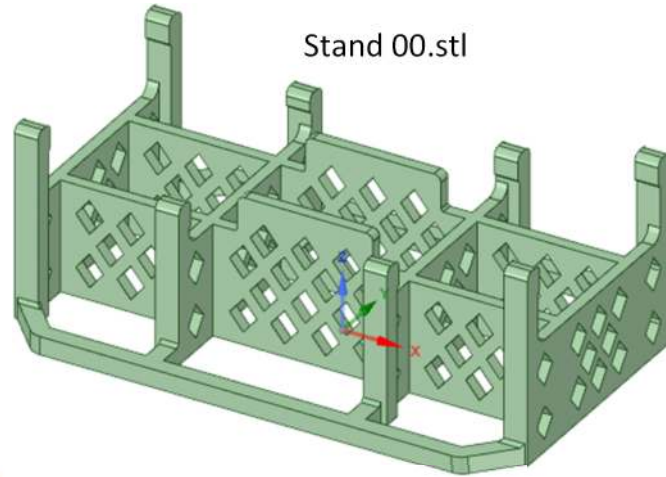


Images are not to scale

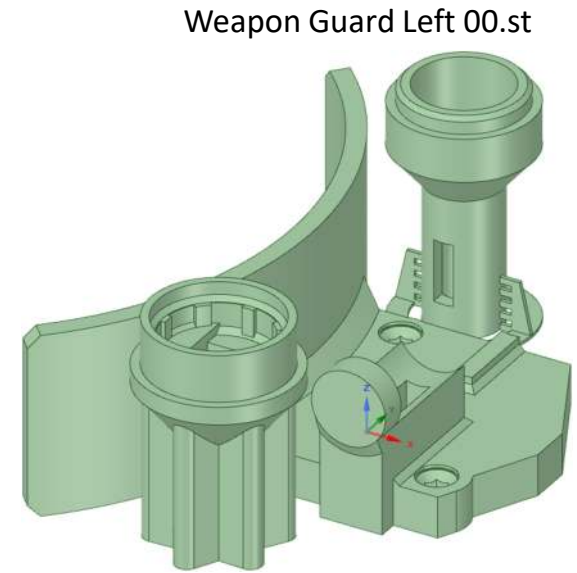
Printed Parts



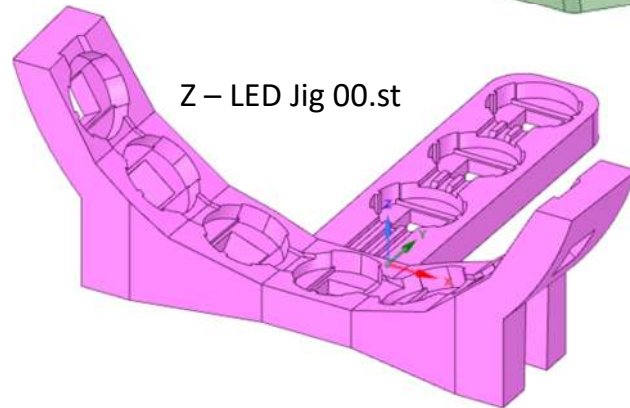
This should help you identify all of the parts needed to build this robot.



Stand 00.stl

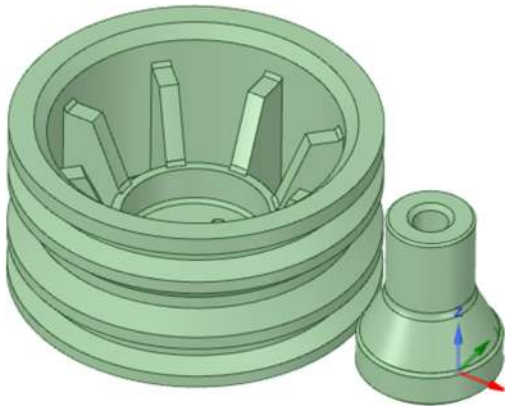


Weapon Guard Left 00.stl

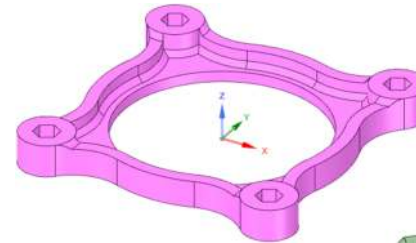


Z - LED Jig 00.stl

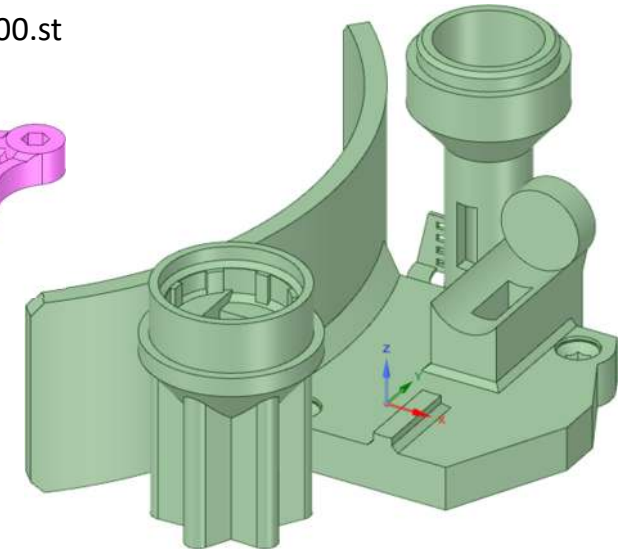
Wheel Hub & Axle 00.stl
x2



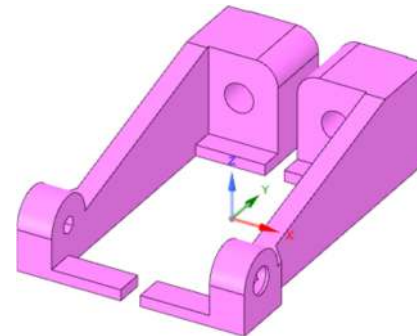
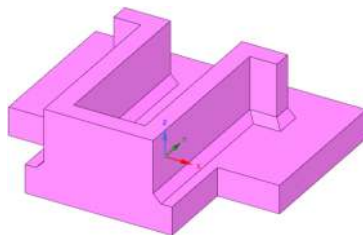
Z - Motor Depth Gauge 00.stl



Weapon Guard Right 00.stl



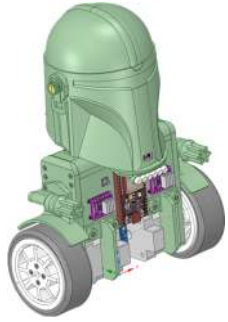
Z - Micro Plate Brackets 00.stl



Z - Rubber Rod Cutting Jig 00.stl

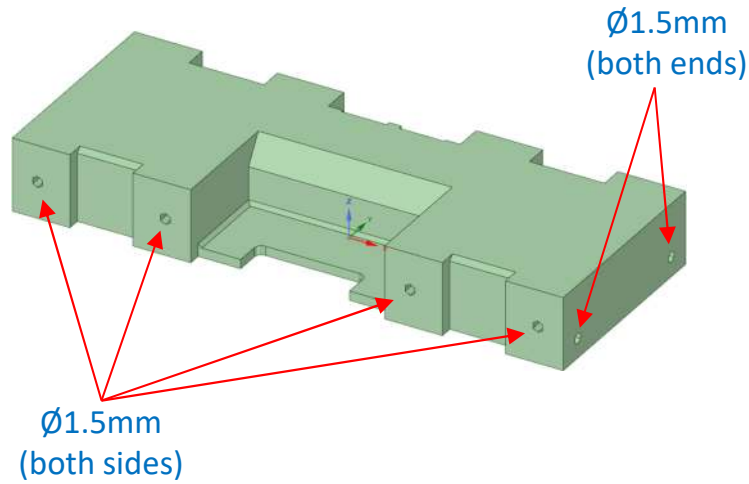
Images are not to scale

Drill Sizes

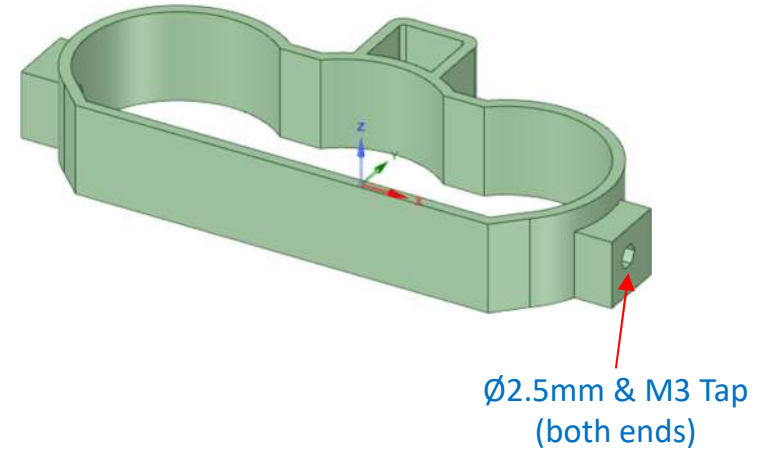


This should help you identify all of the pilot drill and clearance hole sizes.

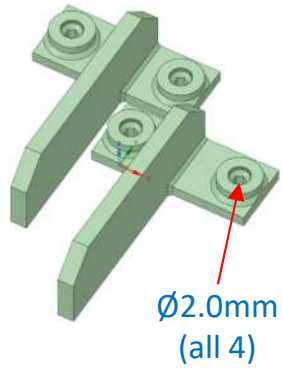
Base Bridge 00.stl



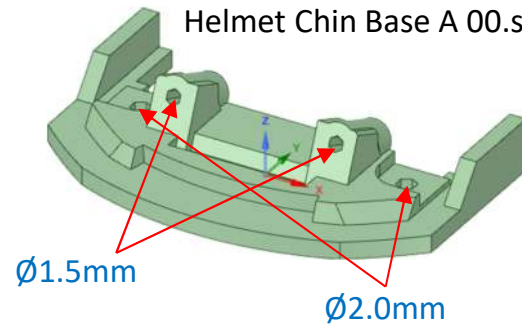
Clamp Ring 00.stl



Front Guards 00.stl



Helmet Chin Base A 00.stl



Helmet Chin Base B 00.stl

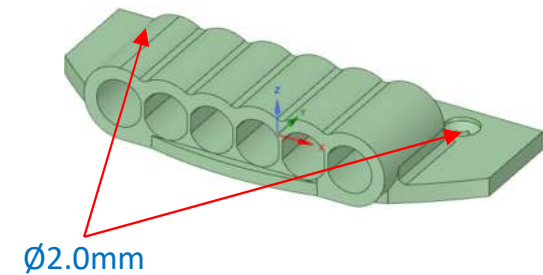
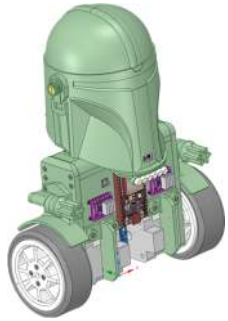
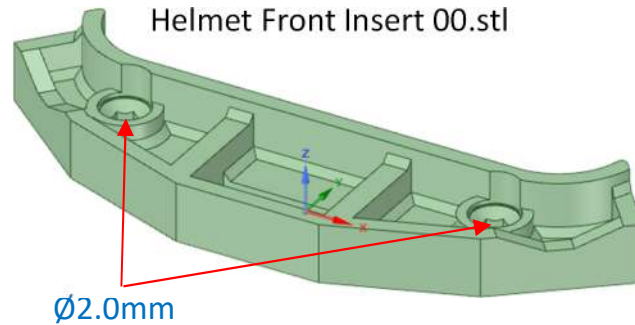


Image are not to scale

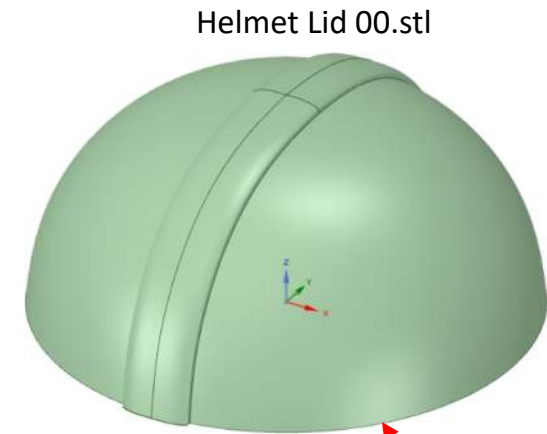
Drill Sizes



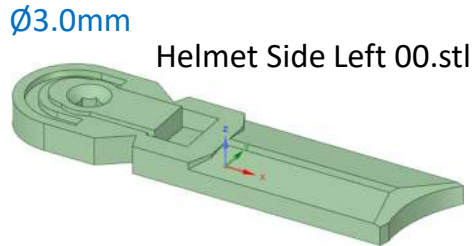
This should help you identify all of the pilot drill and clearance hole sizes.



Ø2.0mm

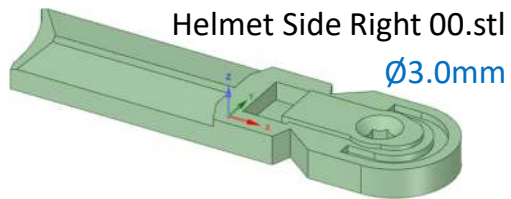


Ø1.5mm
(all 4)



Ø3.0mm

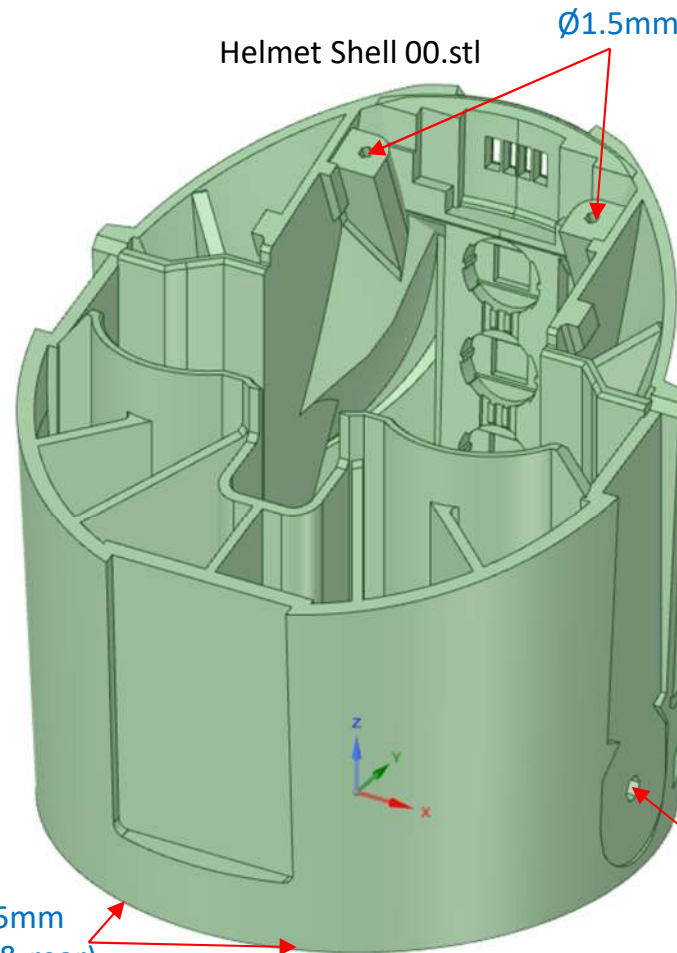
Helmet Side Left 00.stl



Ø3.0mm

Helmet Side Right 00.stl

Image are not to scale



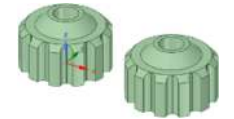
Helmet Shell 00.stl

Ø1.5mm

Ø1.5mm
(front & rear)

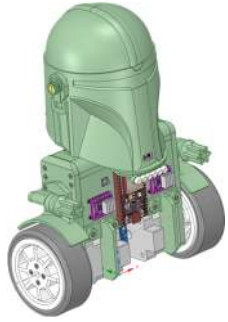
Ø3.0mm
(both sides)

Helmet Nuts 00.stl



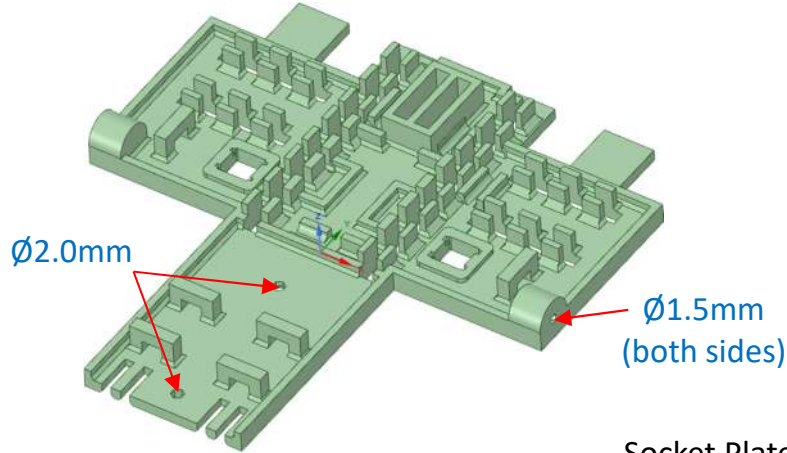
Ø2.5mm & M3 Tap

Drill Sizes

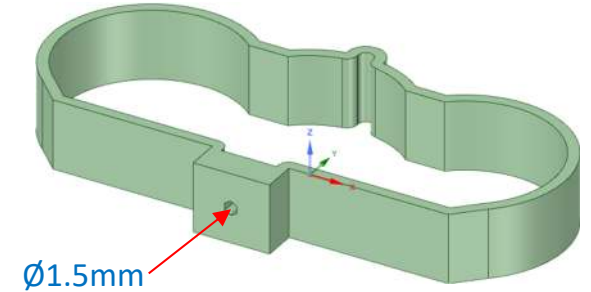


This should help you identify all of the pilot drill and clearance hole sizes.

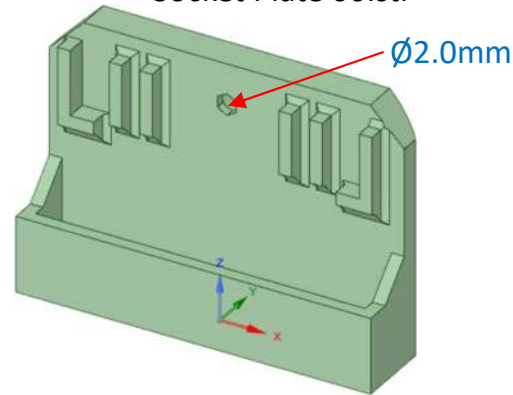
Micro Plate 00.stl



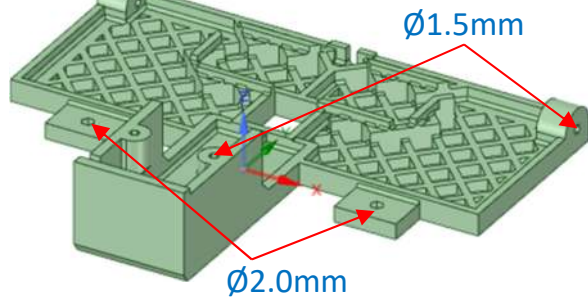
Middle Ring 00.stl



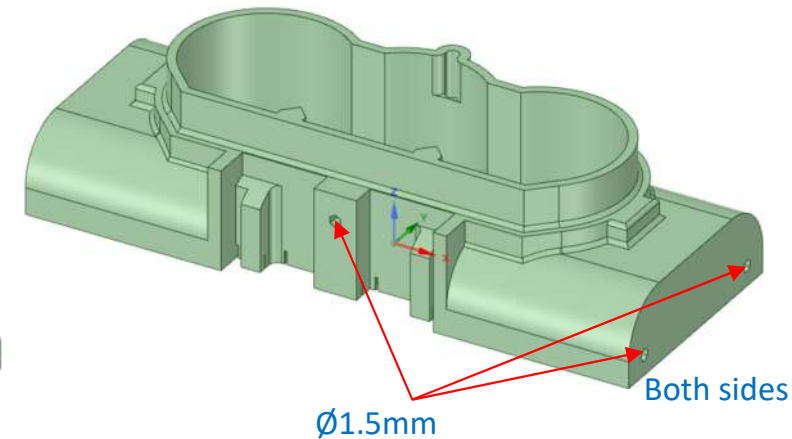
Socket Plate 00.stl



Rear Plate 00.stl

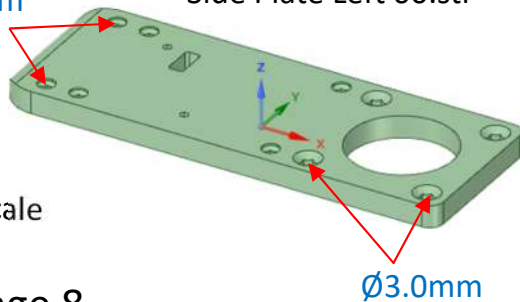


Shoulder Bridge 00.stl



Ø2.0mm

Side Plate Left 00.stl



Ø3.0mm

Side Plate Right 00.stl

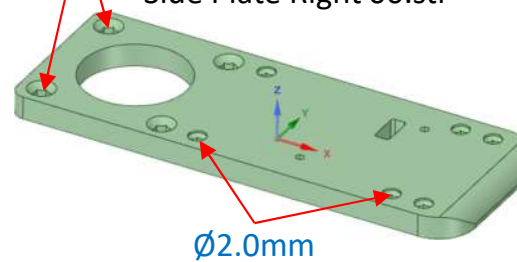
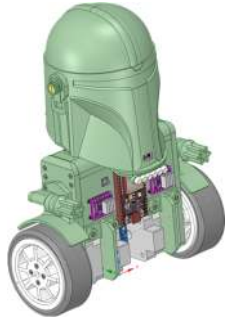
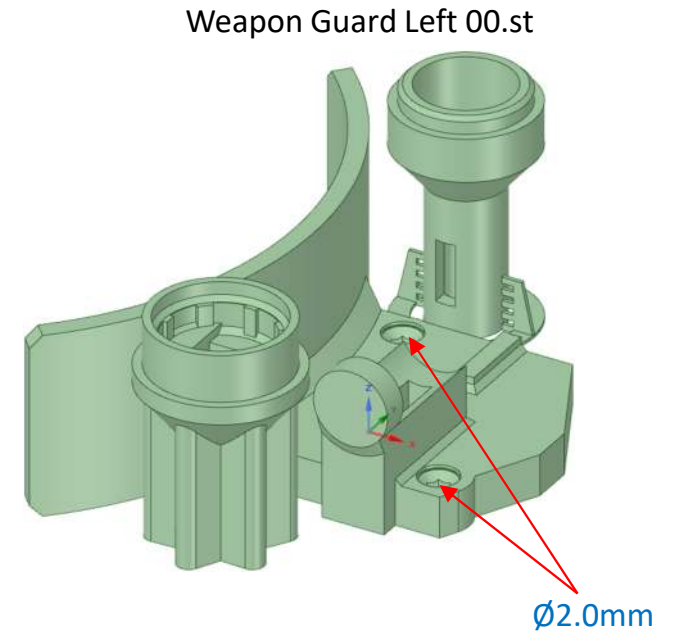
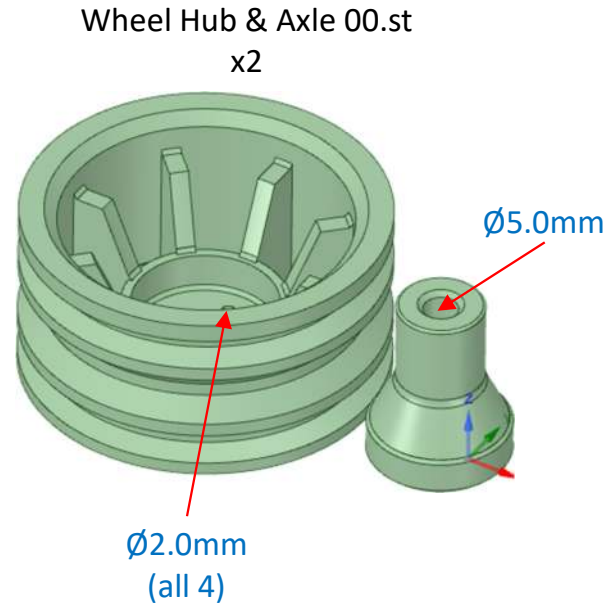


Image are not to scale

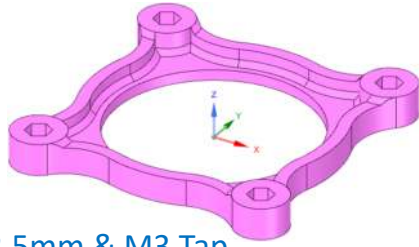
Drill Sizes



This should help you identify all of the pilot drill and clearance hole sizes.

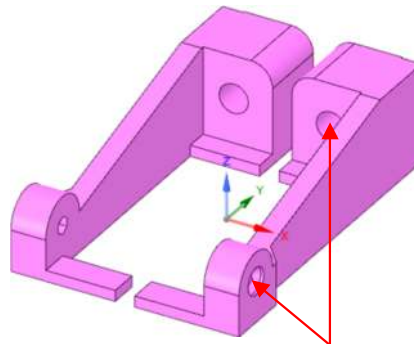


Z – Motor Depth Gauge 00.st



Ø2.5mm & M3 Tap
(all 4)

Jigs, shown in pink, are designed to make the build process easier. They are not part of the actual robot.



Z – Micro Plate Brackets 00.st

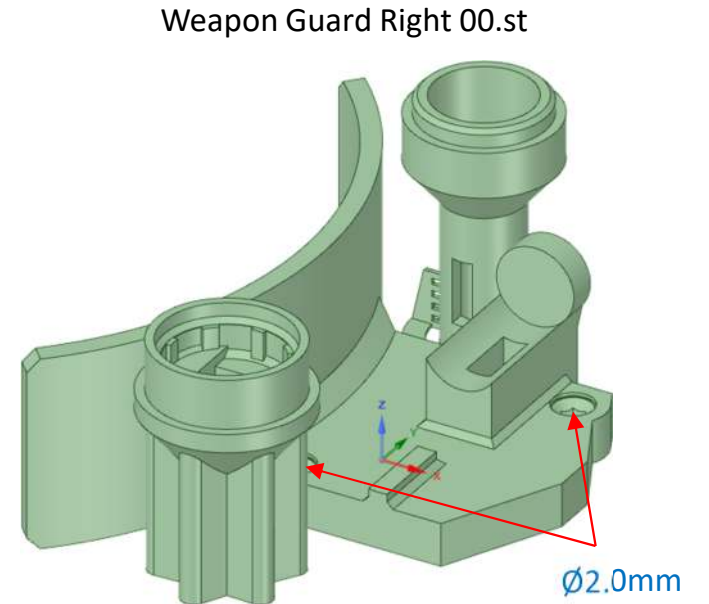


Image are not to scale