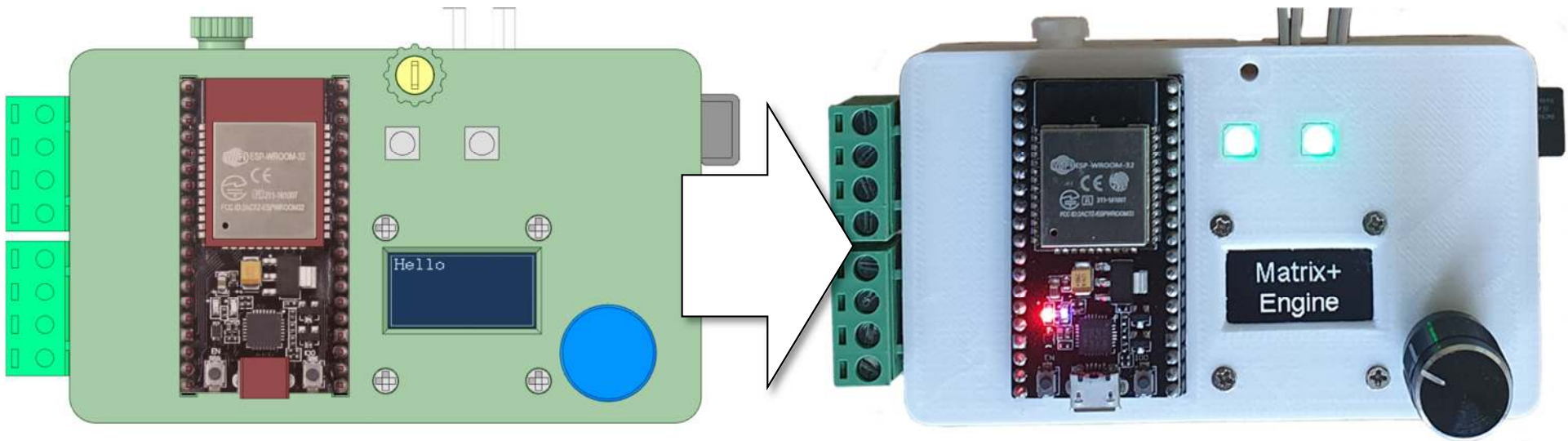
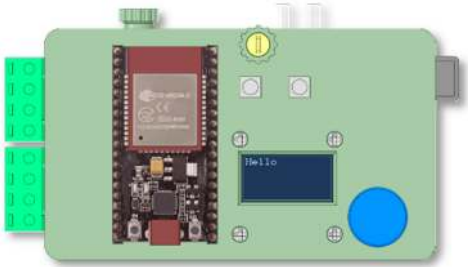


Matrix+ Controller

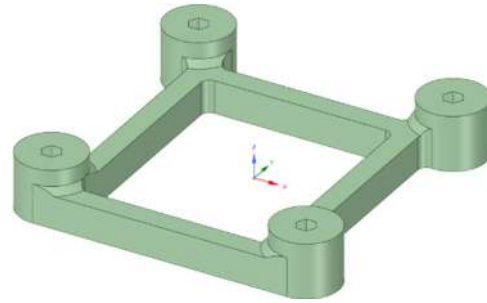
3D Parts



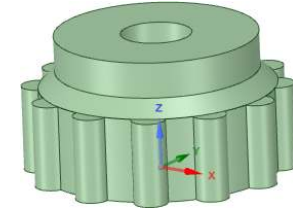
Controller Parts



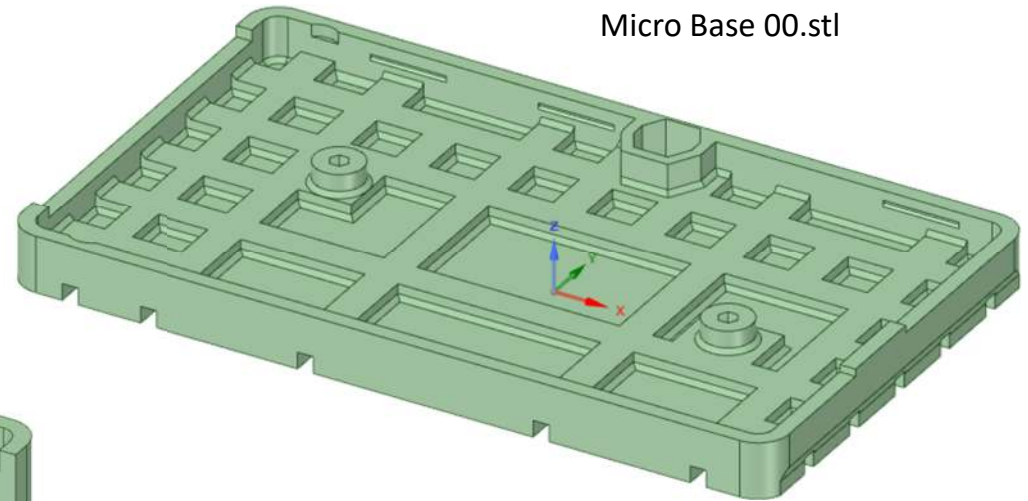
This should help you identify all of the parts needed to build the robot.



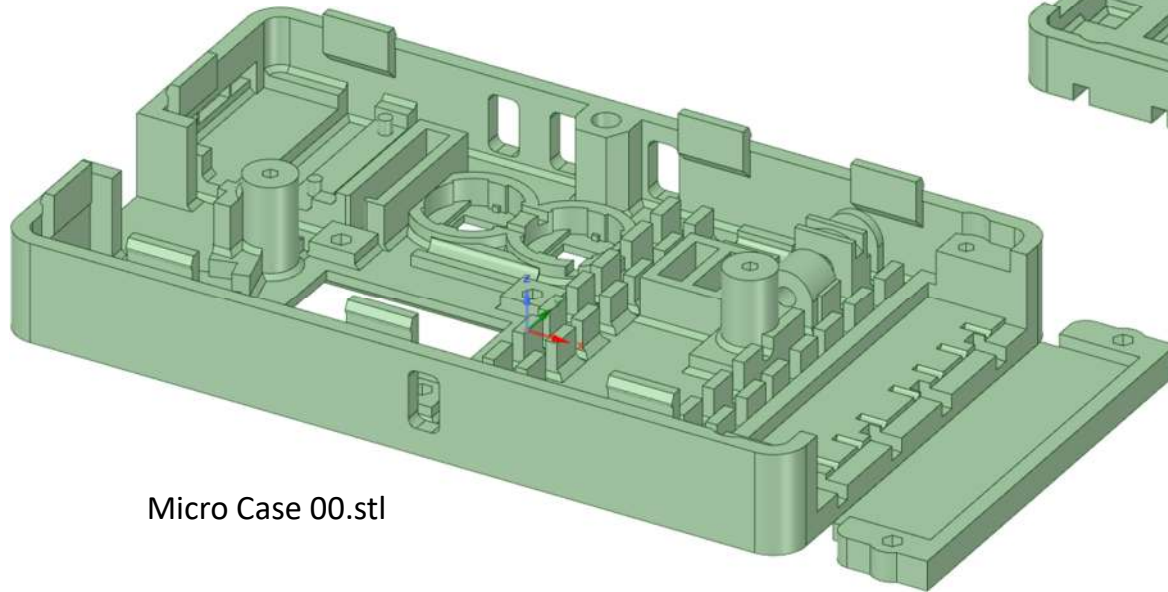
Display Strap 00.stl



Micro Nut 00.stl



Micro Base 00.stl

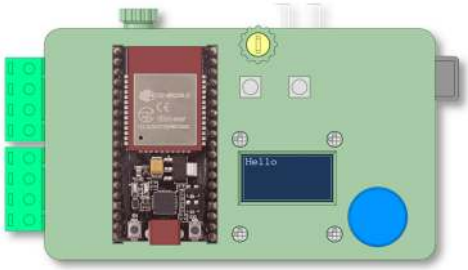


Micro Case 00.stl

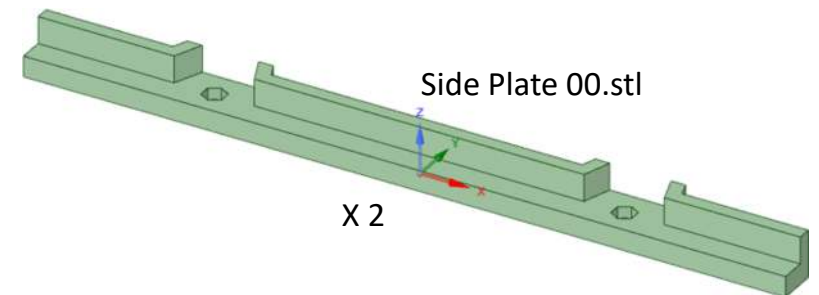
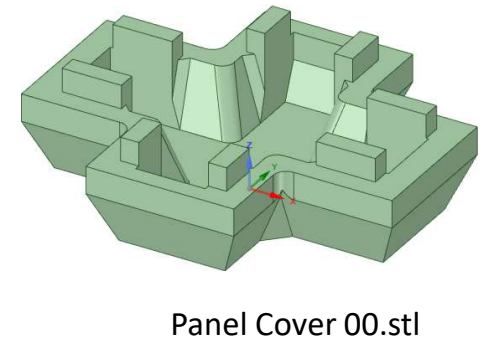
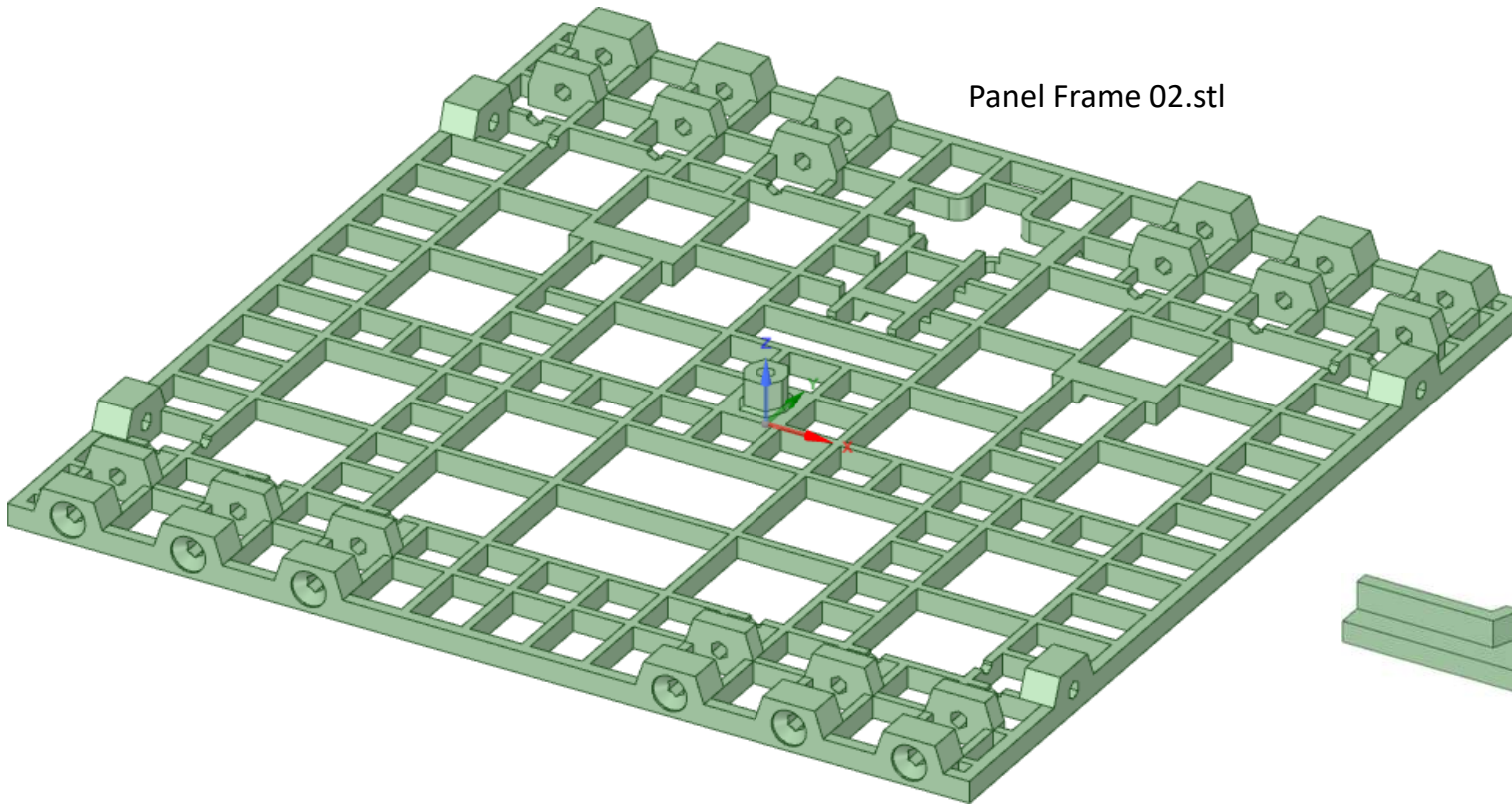
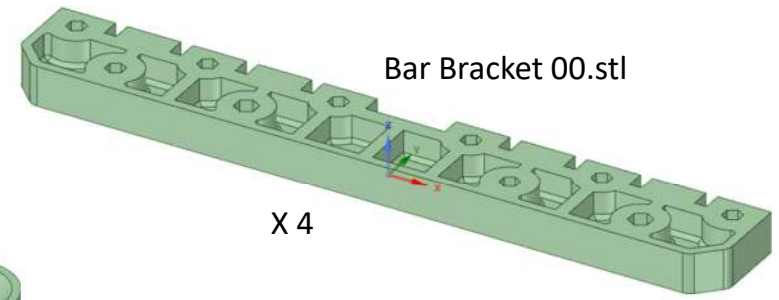
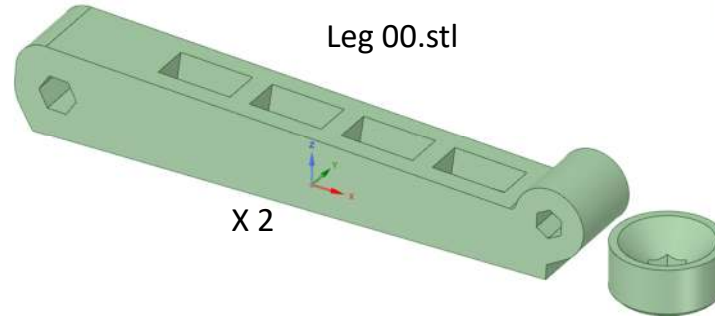
Note: The connector strap is printed along with the Micro Case cover.

Models are not to scale

Panel Parts

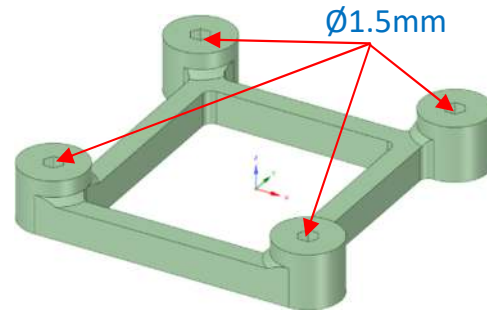
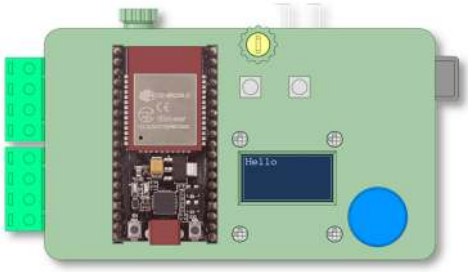


This should help you identify all of the parts needed to build the robot.

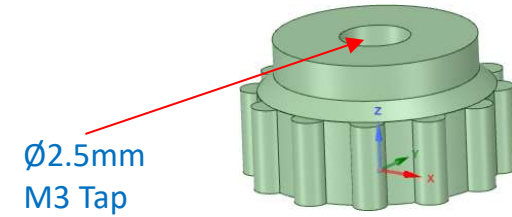


Models are not to scale

Drill Sizes

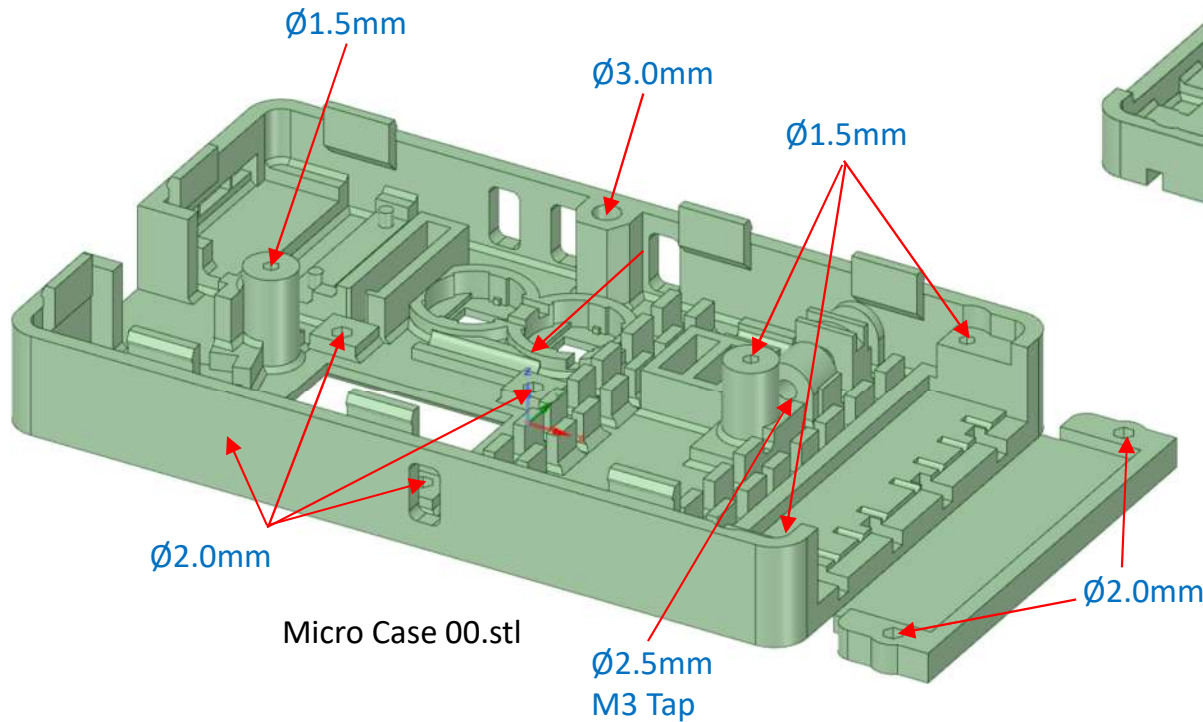


Display Strap 00.stl

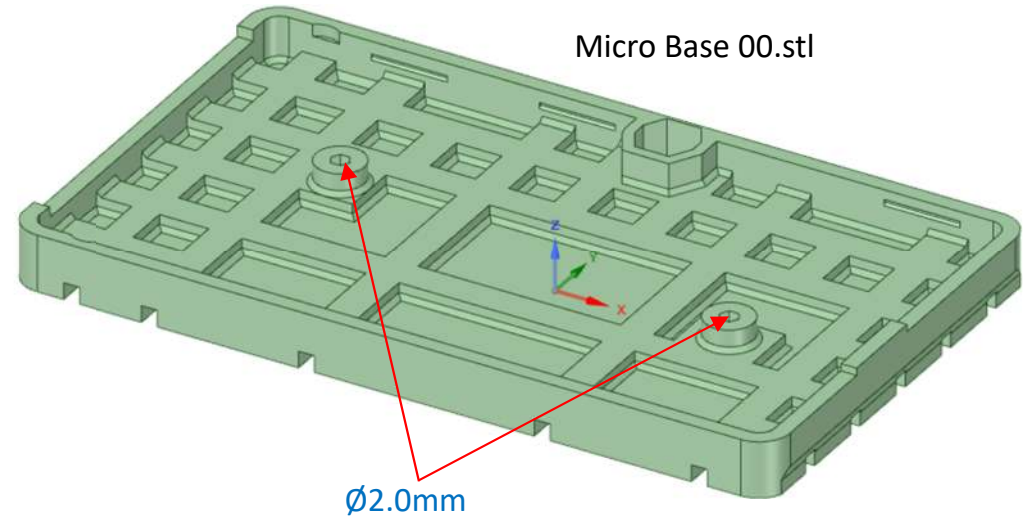


Micro Nut 00.stl

This should help you identify all of the pilot drill and clearance hole sizes.



Micro Case 00.stl

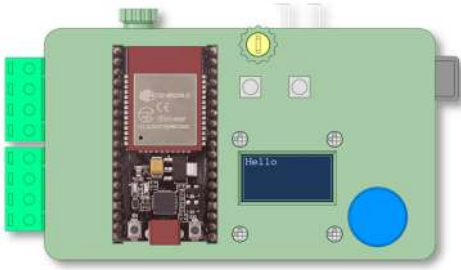


Micro Base 00.stl

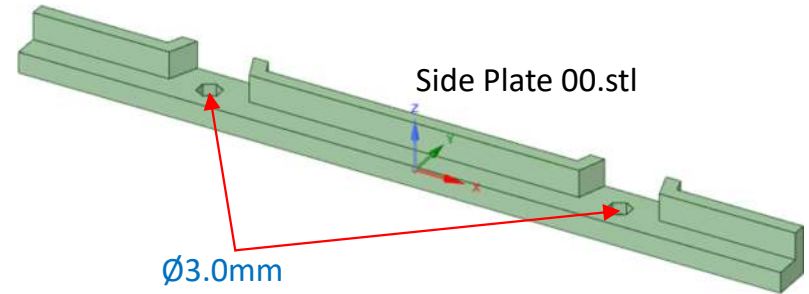
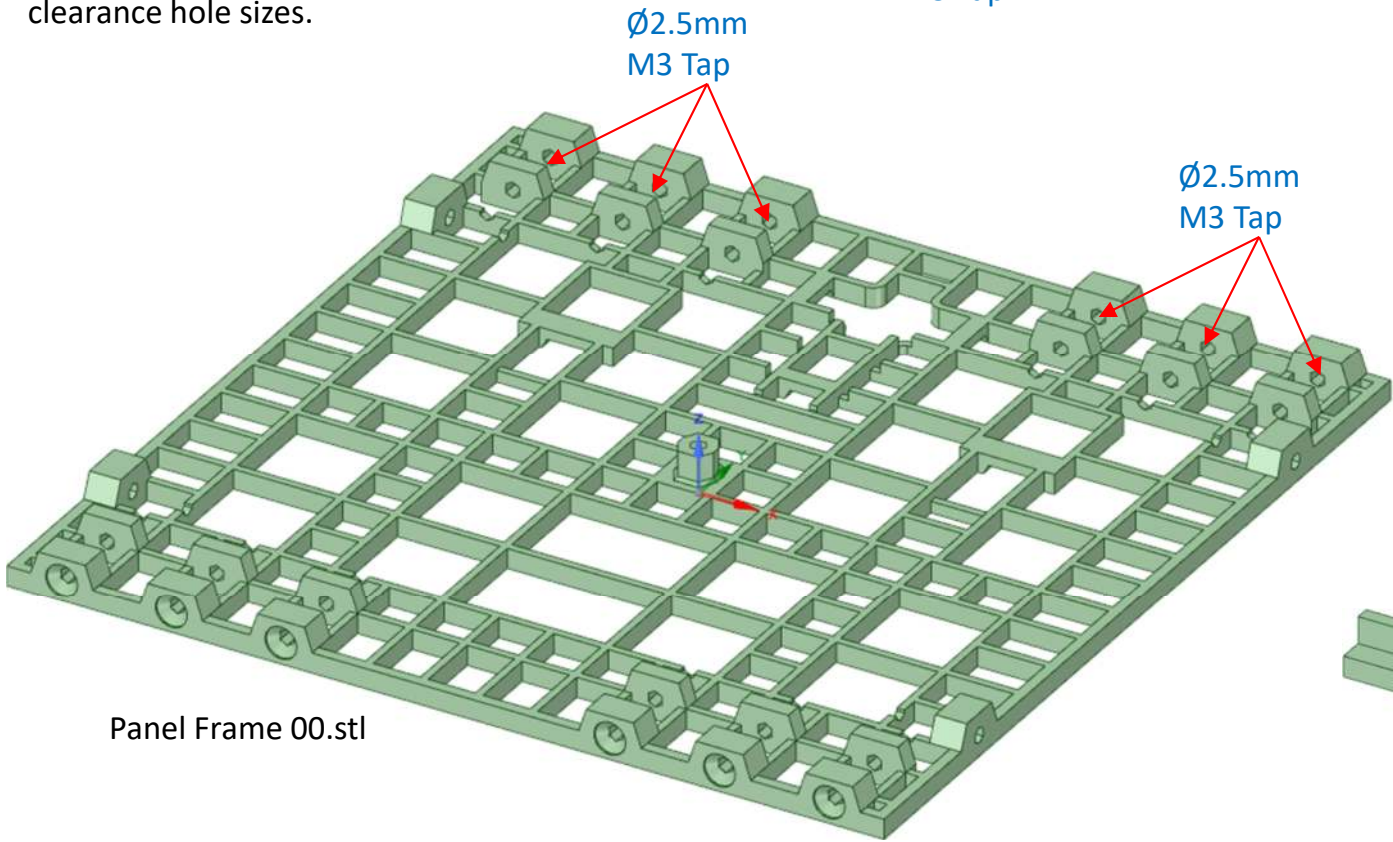
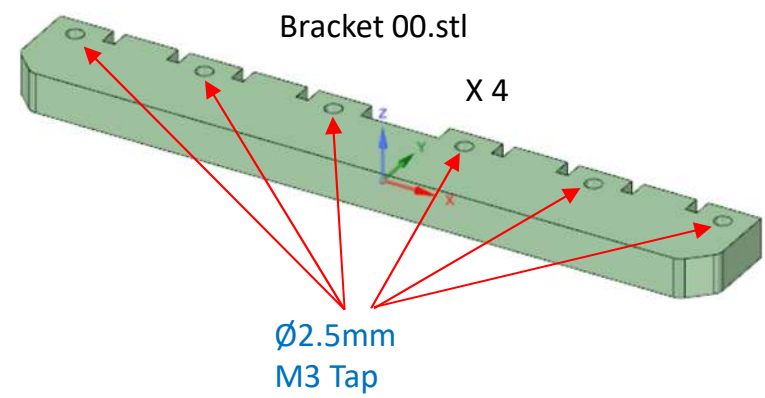
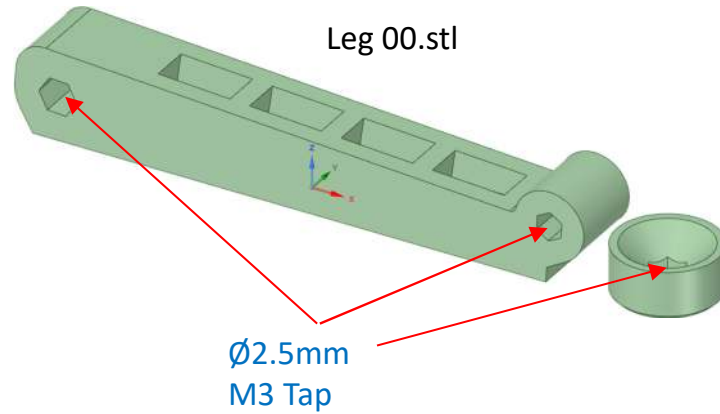
Note: 3D printed holes are often undersized, and therefore need to be cleared by hand with a drill bit. The M3 threaded holes are for the nylon M3 screws. The Ø1.5mm pilot holes are for the 2x10mm self-tapping screws.

Models are not to scale

Drill Sizes



This should help you identify all of the pilot drill and clearance hole sizes.

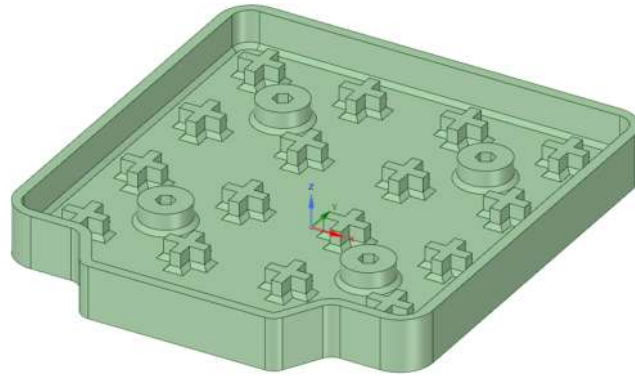


Models are not to scale

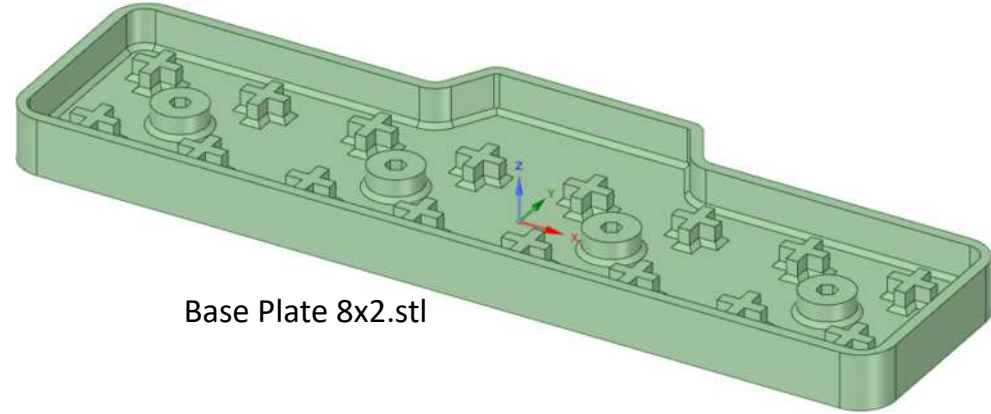
Switch Parts



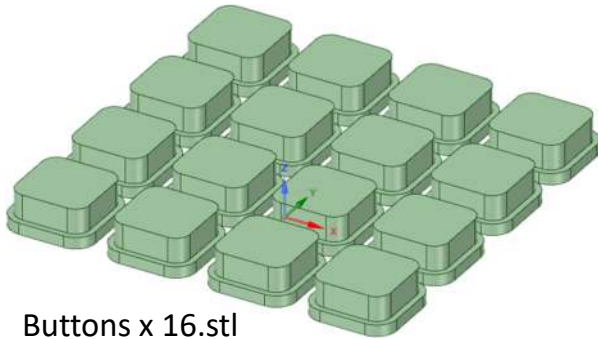
This should help you identify all of the parts needed to build the robot.



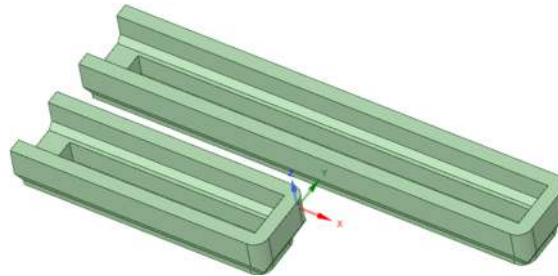
Base Plate 4x4.stl



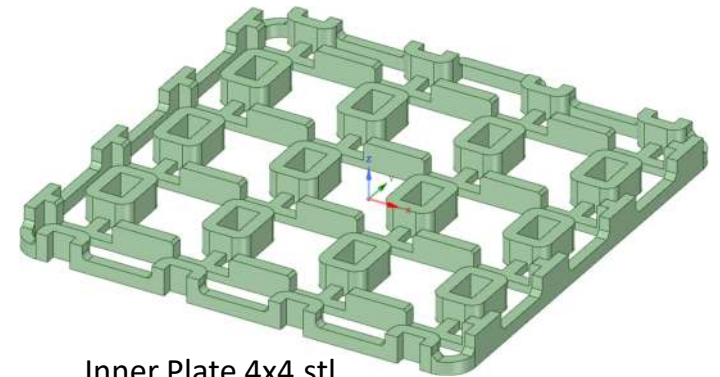
Base Plate 8x2.stl



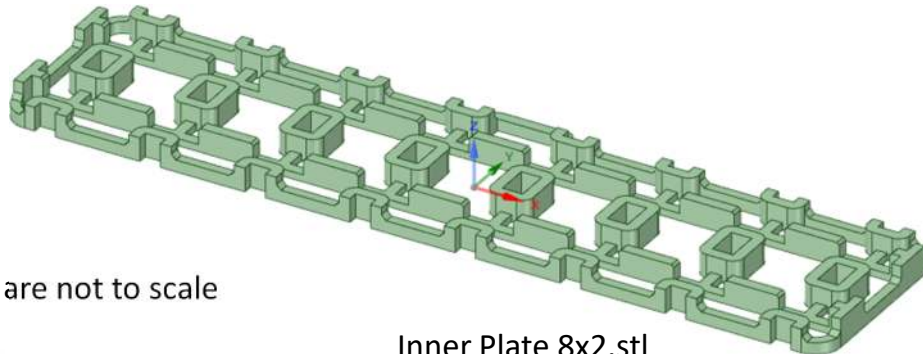
Buttons x 16.stl



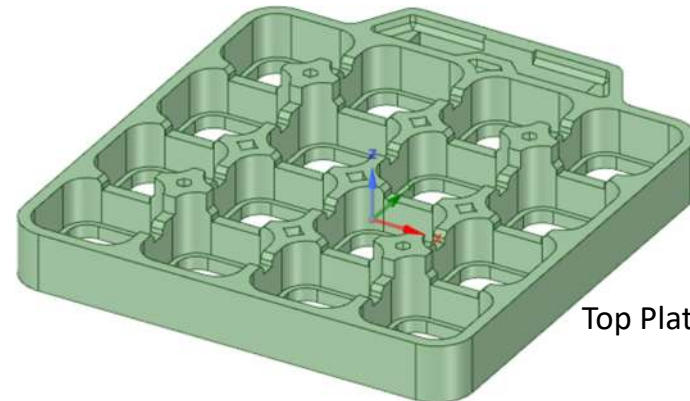
Connector Covers.stl



Inner Plate 4x4.stl



Inner Plate 8x2.stl



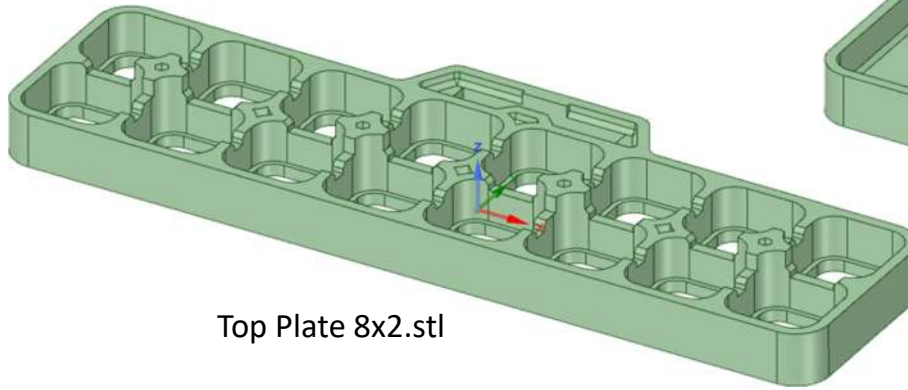
Top Plate 4x4.stl

Models are not to scale

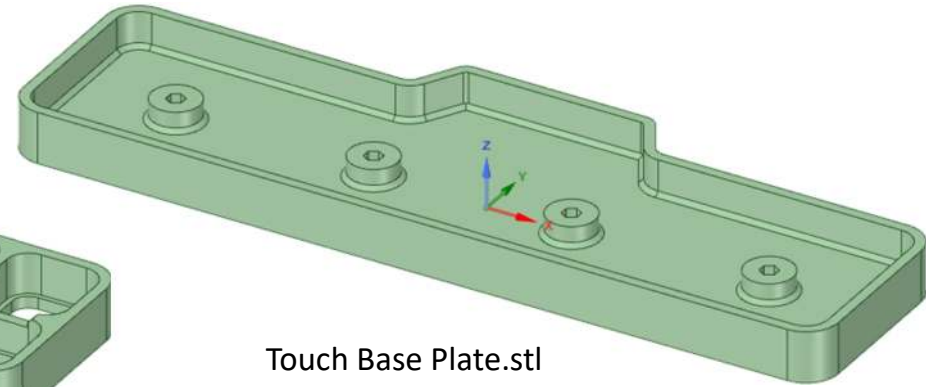
Switch Parts



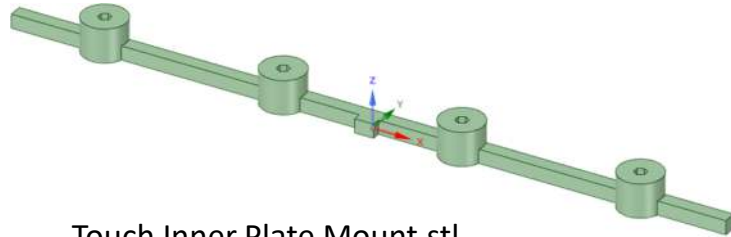
This should help you identify all of the parts needed to build the robot.



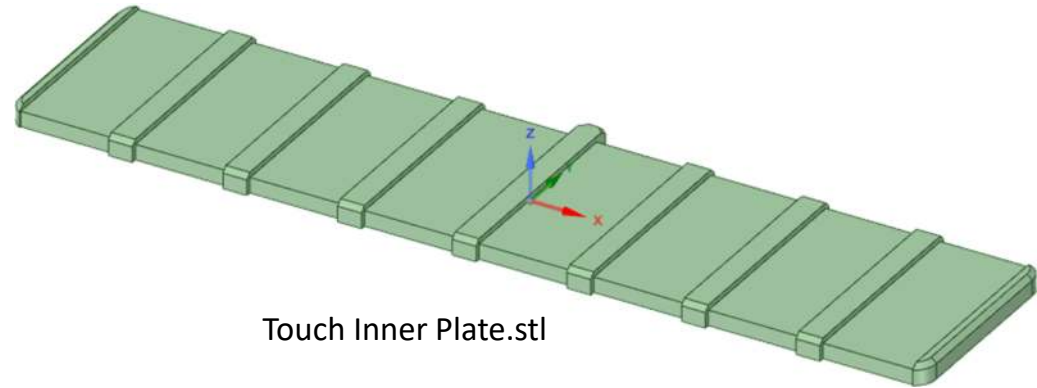
Top Plate 8x2.stl



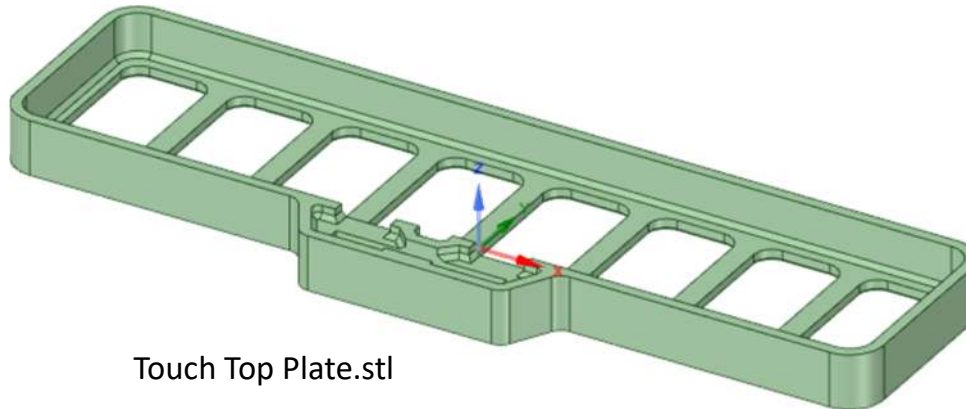
Touch Base Plate.stl



Touch Inner Plate Mount.stl



Touch Inner Plate.stl



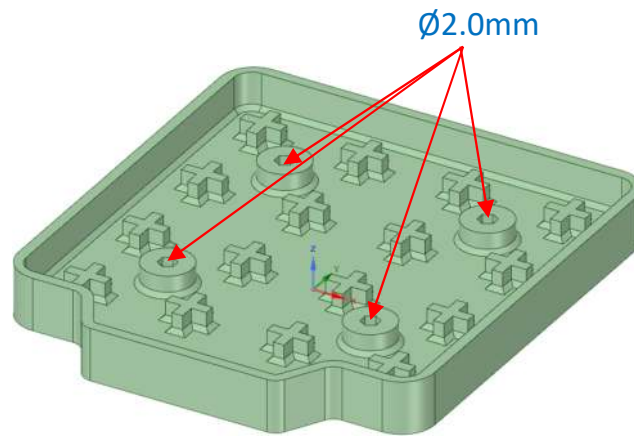
Touch Top Plate.stl

Models are not to scale

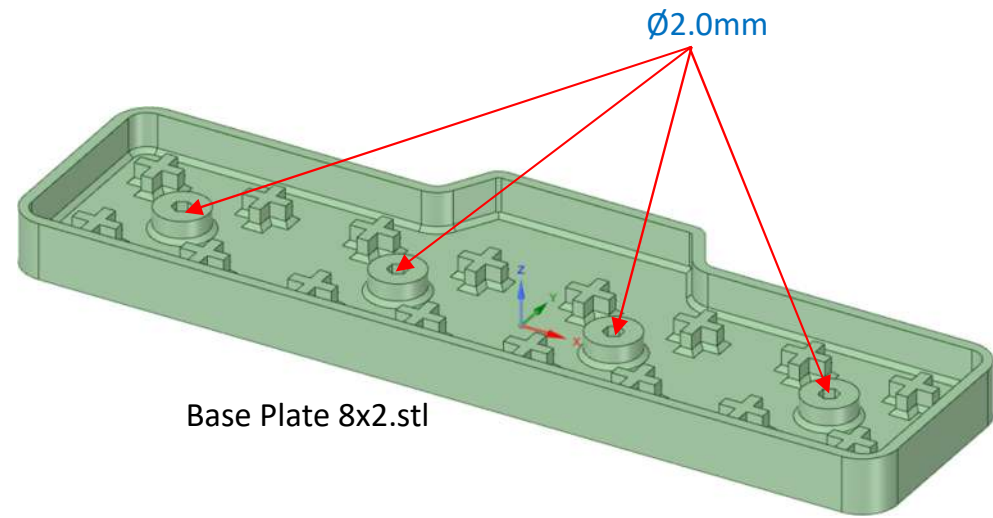
Drill Sizes



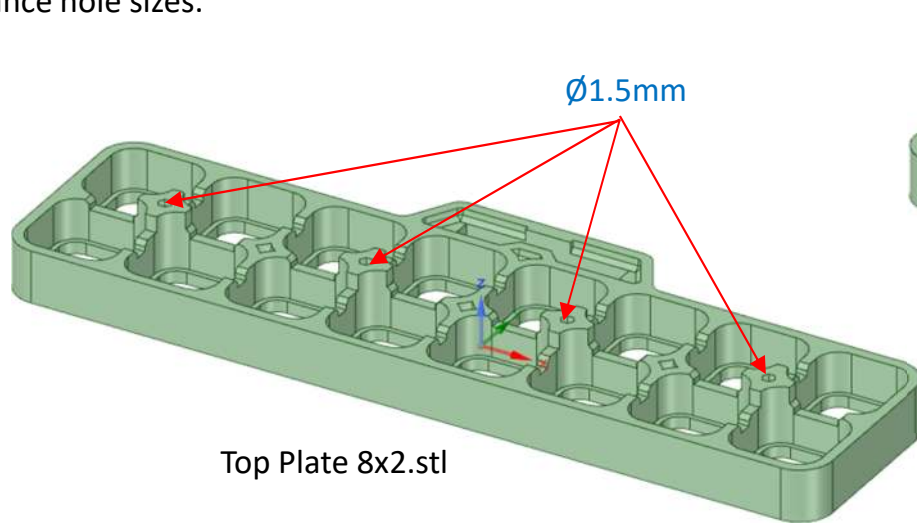
This should help you identify all of the pilot drill and clearance hole sizes.



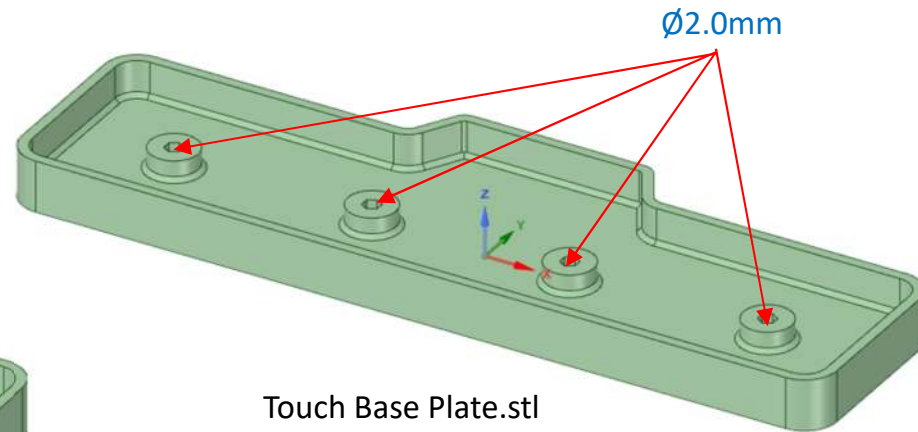
Base Plate 4x4.stl



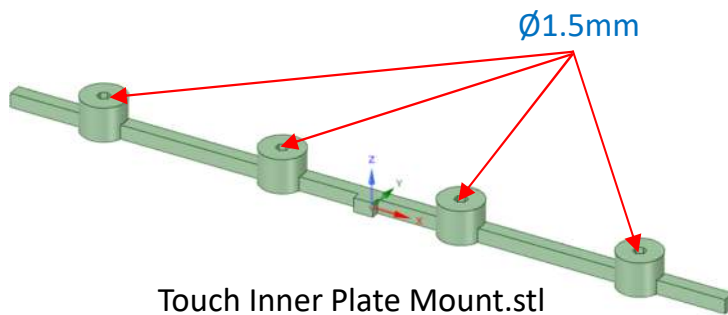
Base Plate 8x2.stl



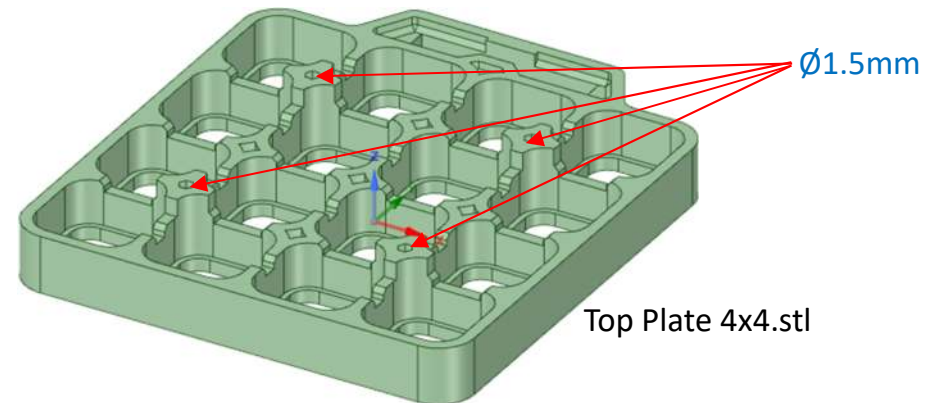
Top Plate 8x2.stl



Touch Base Plate.stl



Touch Inner Plate Mount.stl



Top Plate 4x4.stl

Models are not to scale