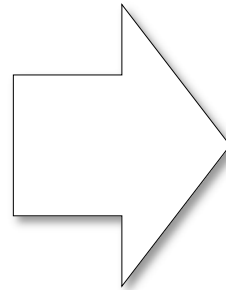
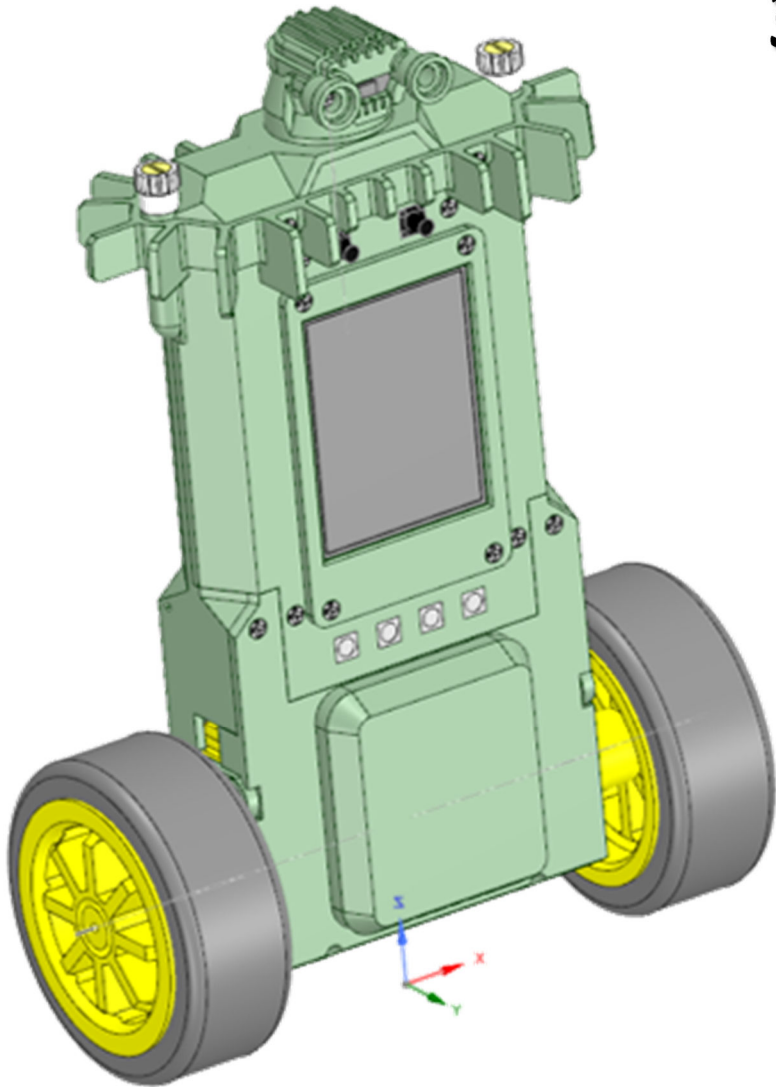
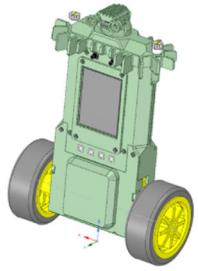


# BalanceBot ESP32

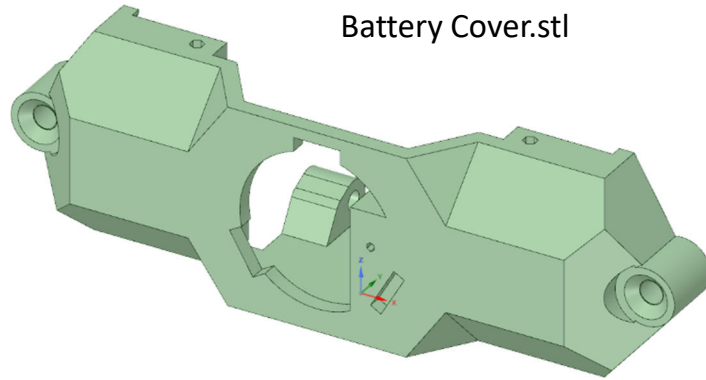
## 3D Models



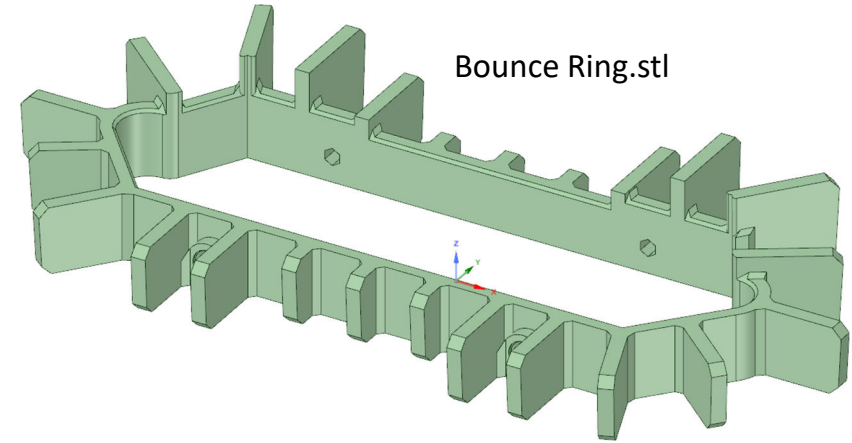
# Printed Parts



This should help you identify all of the parts needed to build this robot.

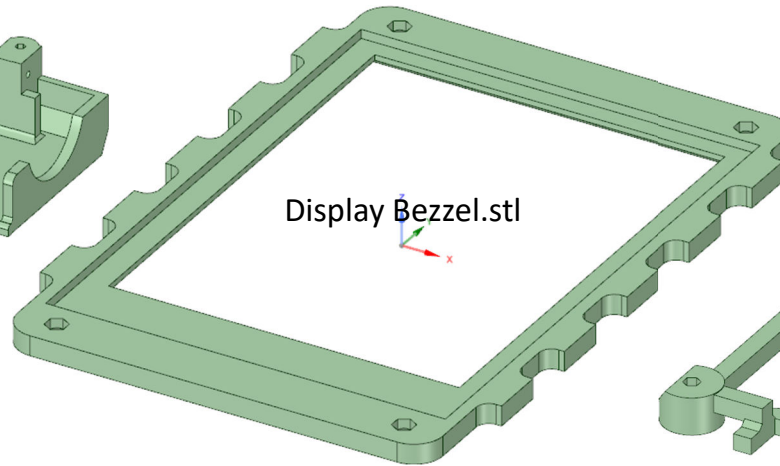
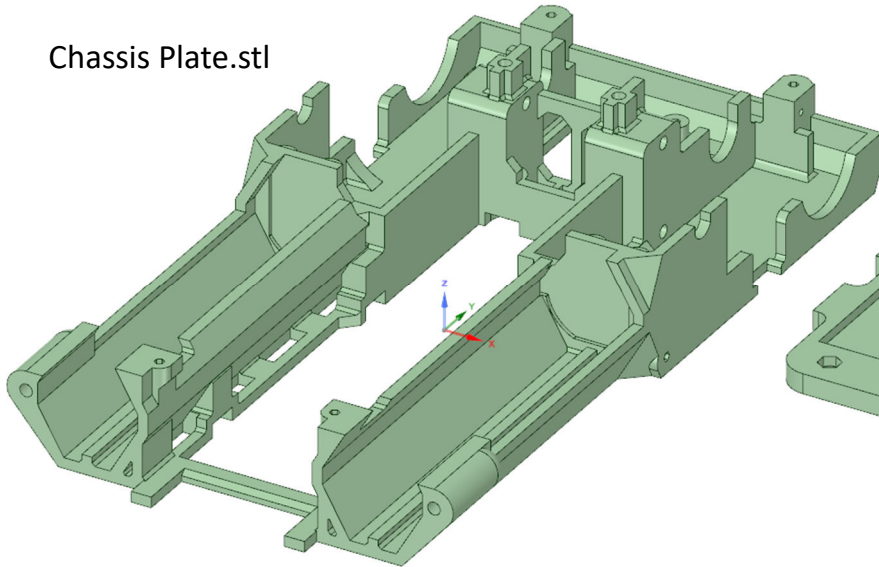


Battery Cover.stl

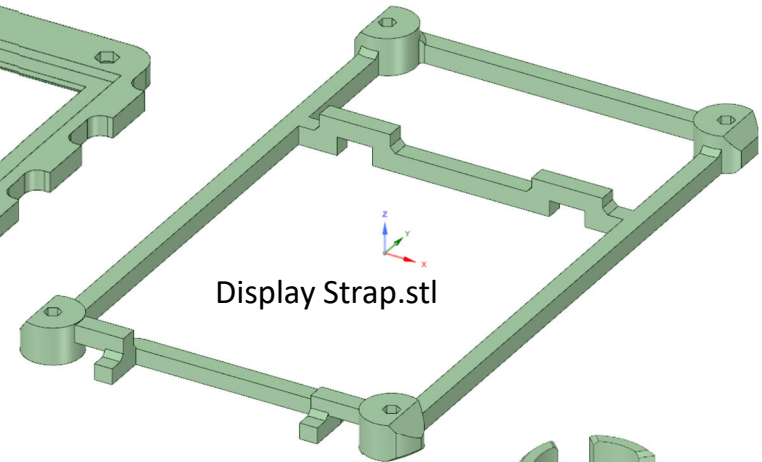


Bounce Ring.stl

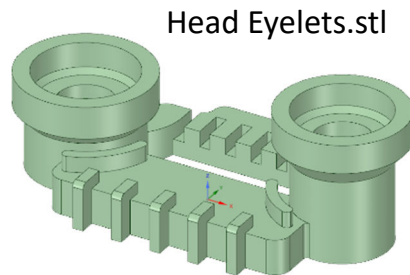
Chassis Plate.stl



Display Bezel.stl

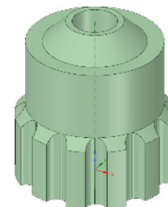


Display Strap.stl

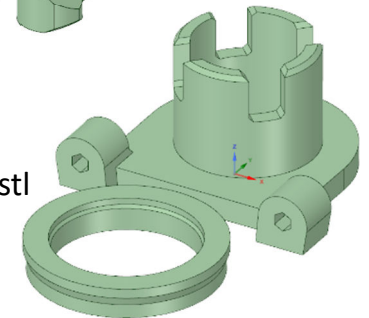


Head Eyelets.stl

Head Hand Screw Nut.stl  
X 2

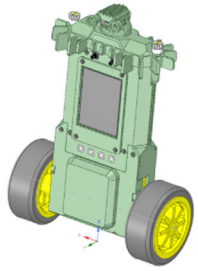


Head Neck & Ring.stl



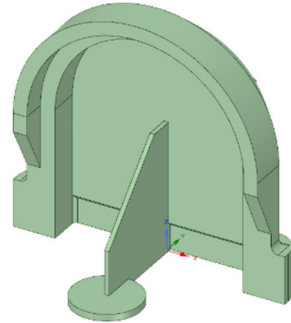
Models are not to scale

# Printed Parts

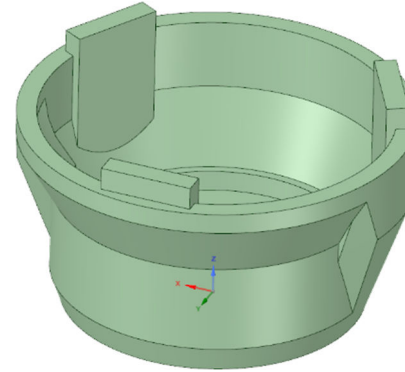


This should help you identify all of the parts needed to build this robot.

Head Scalp.stl

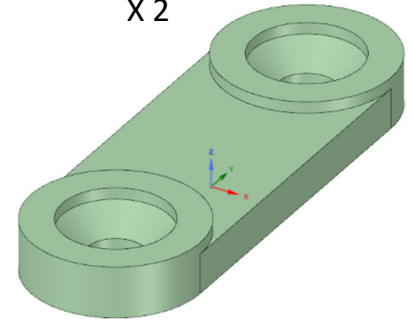


Head Shroud.stl

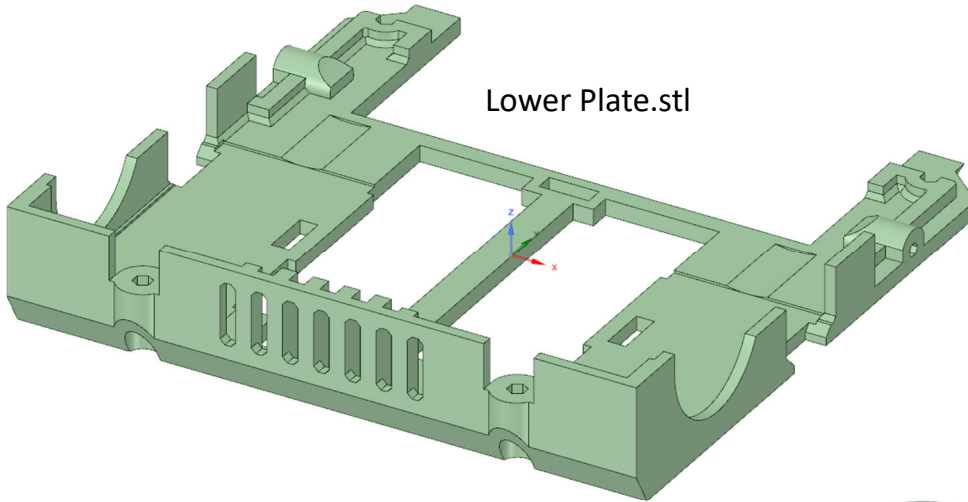


Motor Strap.stl

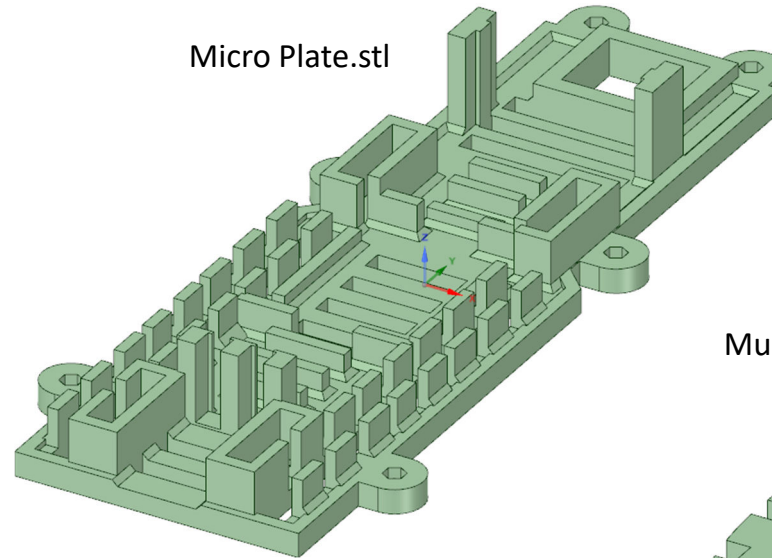
X 2



Lower Plate.stl

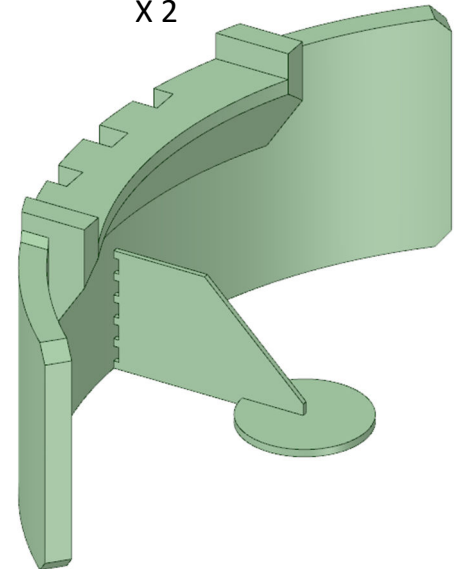


Micro Plate.stl

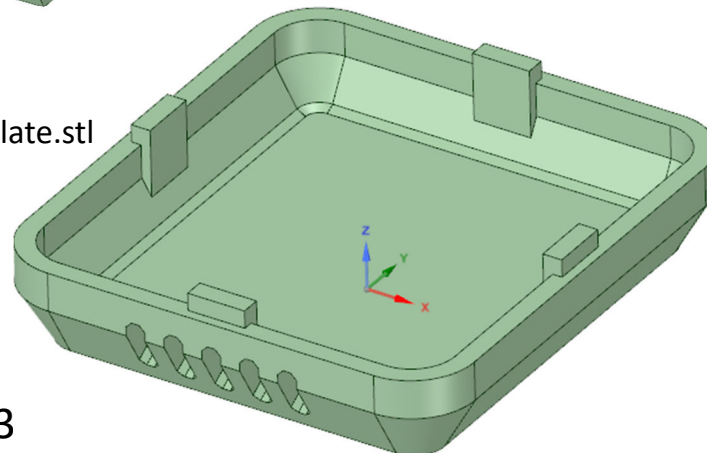


Mudguards.stl

X 2

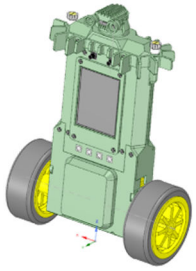


Sensor Cover Plate.stl

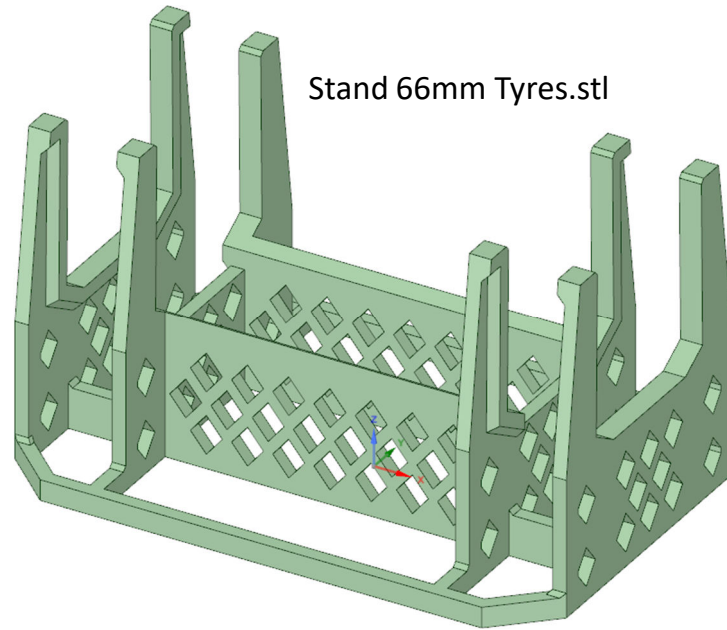


Models are not to scale

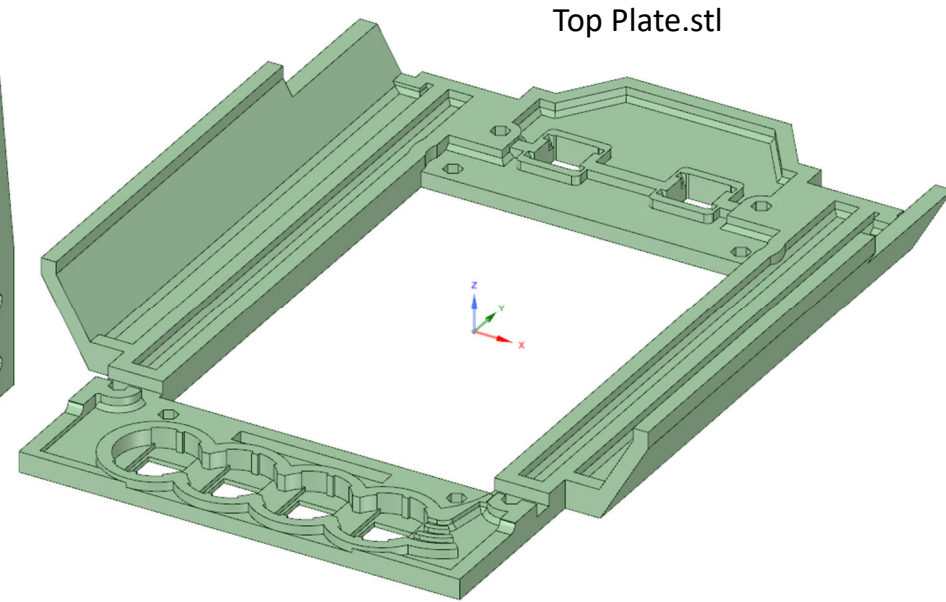
# Printed Parts



This should help you identify all of the parts needed to build this robot.

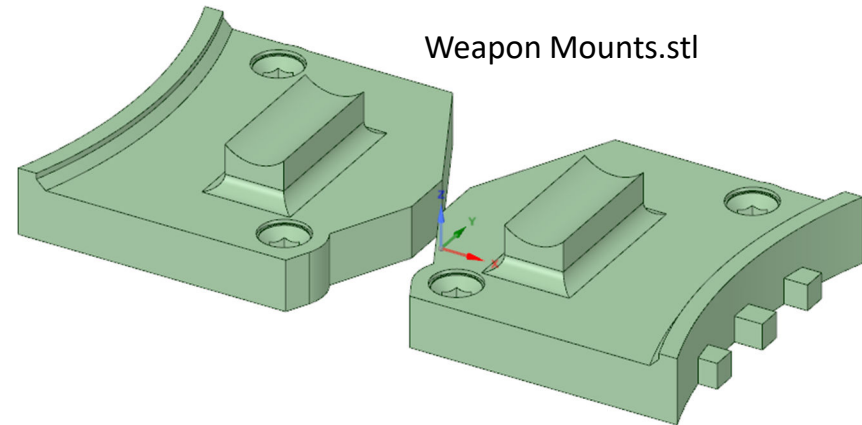


Stand 66mm Tyres.stl



Top Plate.stl

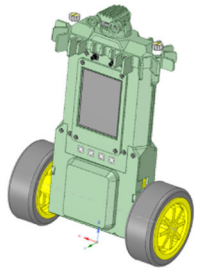
Weapon Gun.stl  
X 2



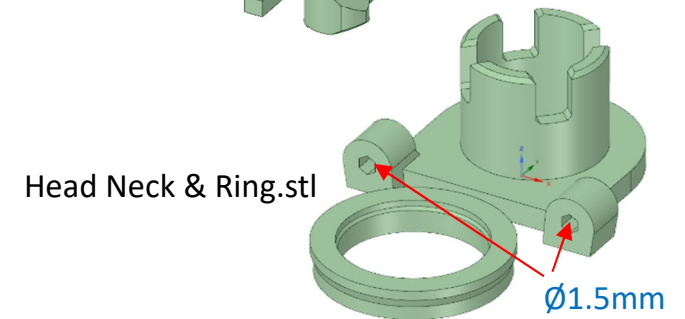
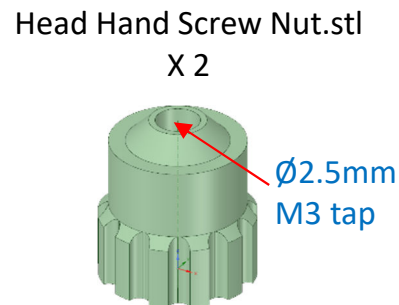
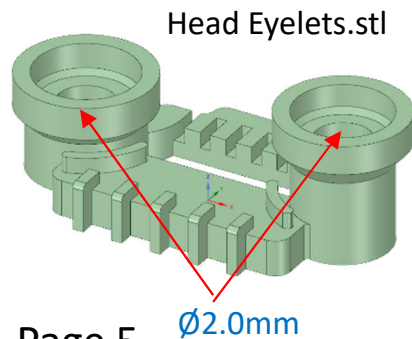
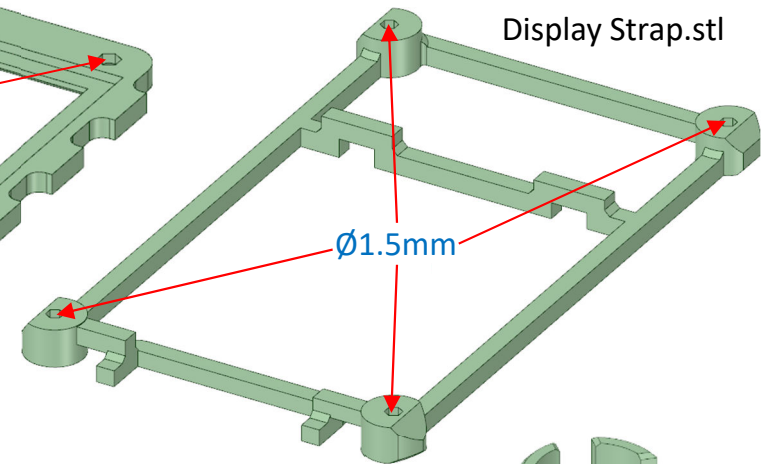
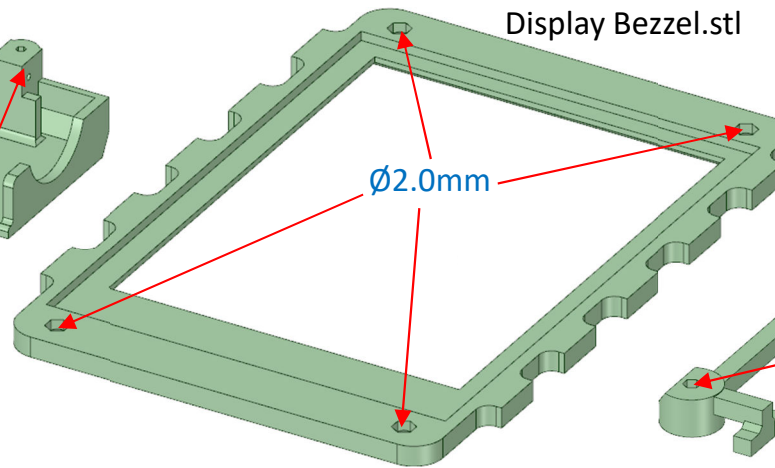
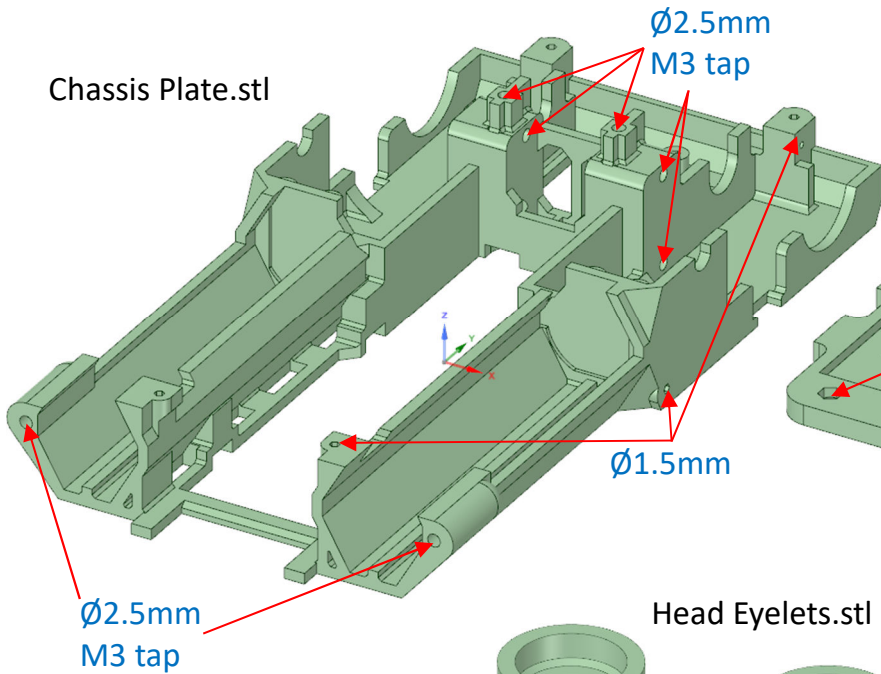
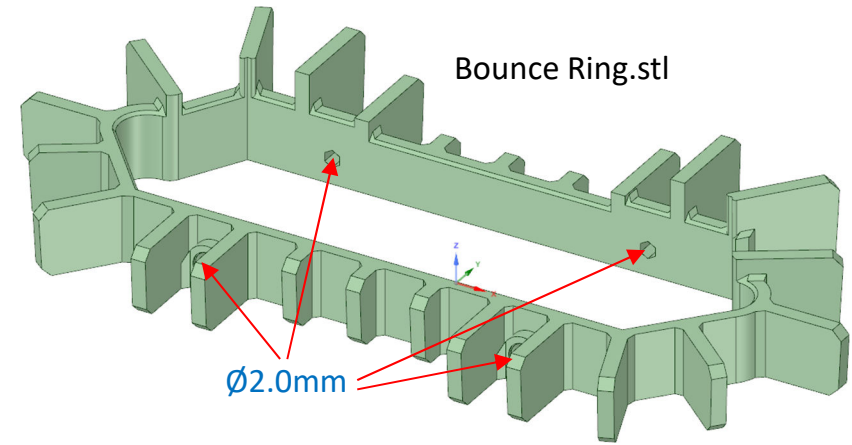
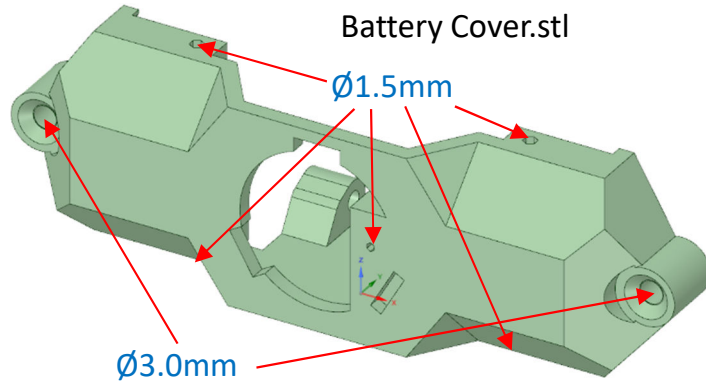
Weapon Mounts.stl

Models are not to scale

# Drill Sizes

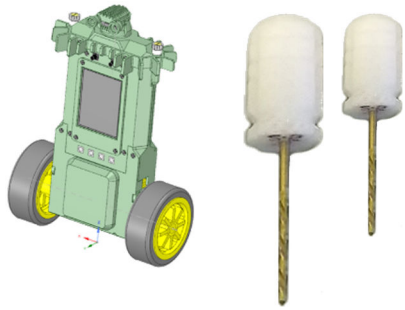


This should help you identify all of the pilot drill and clearance hole sizes.

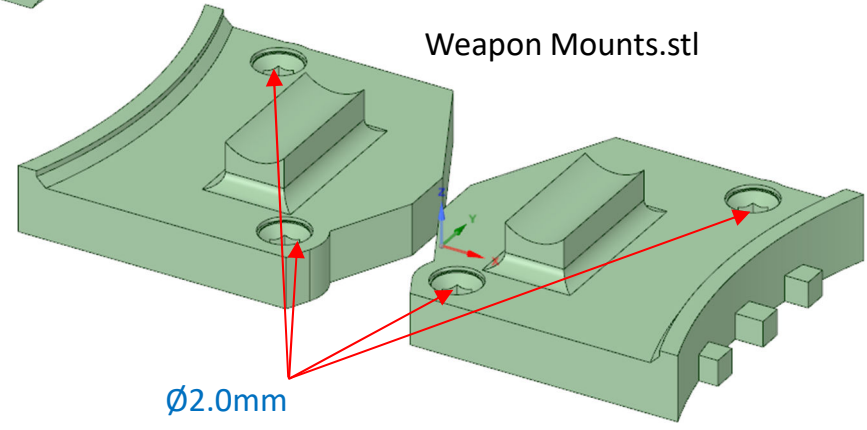
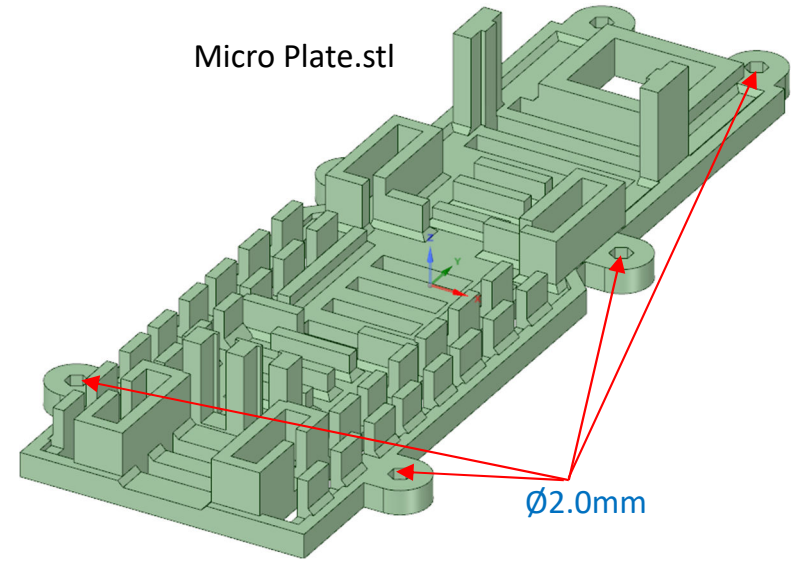
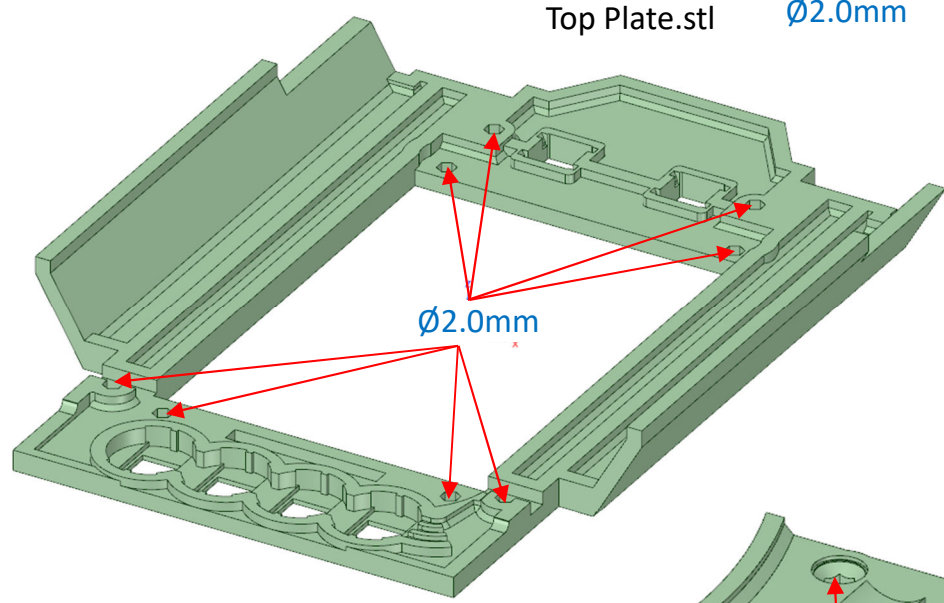
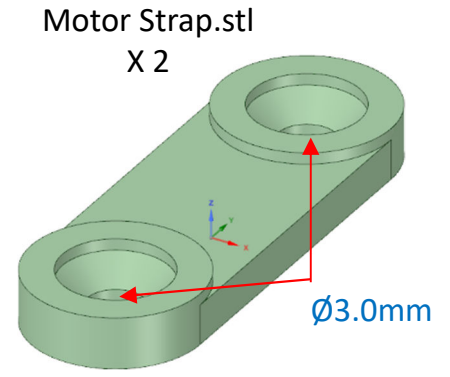
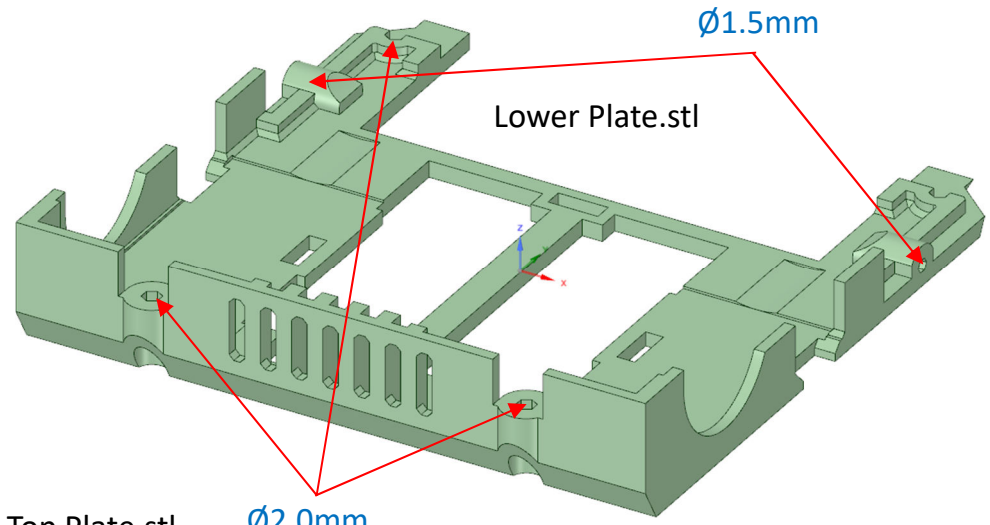


Models are not to scale

# Drill Sizes



This should help you identify all of the pilot drill and clearance hole sizes.



Models are not to scale