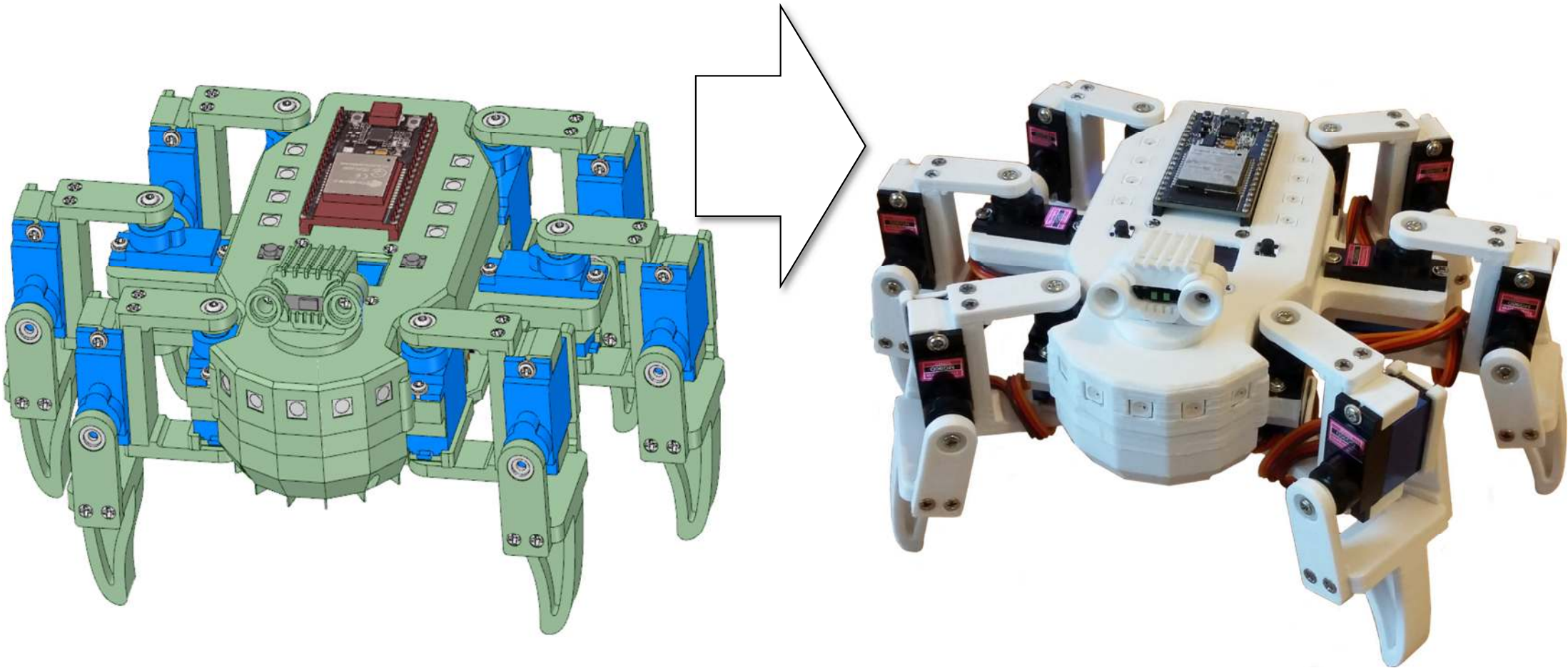
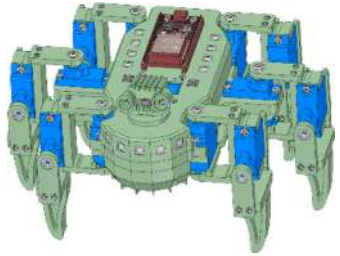


# HexBot 2

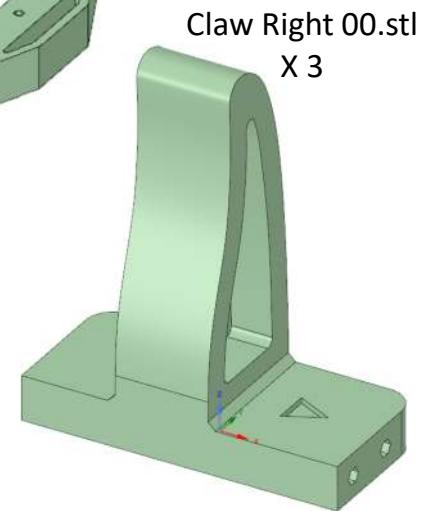
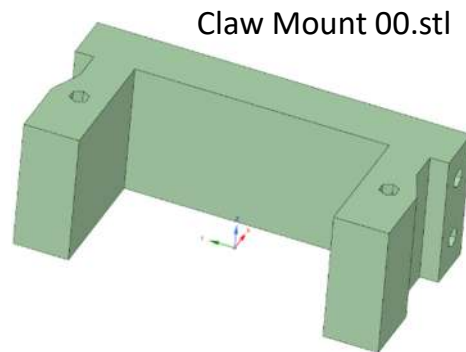
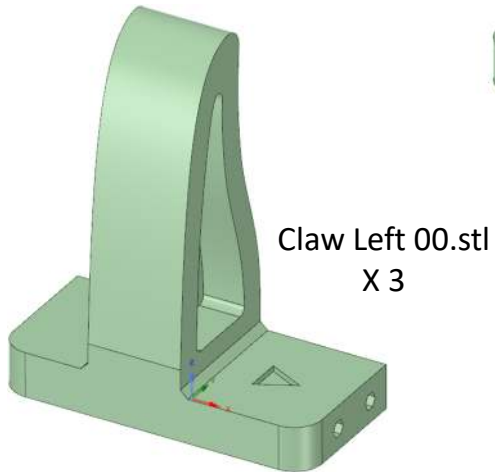
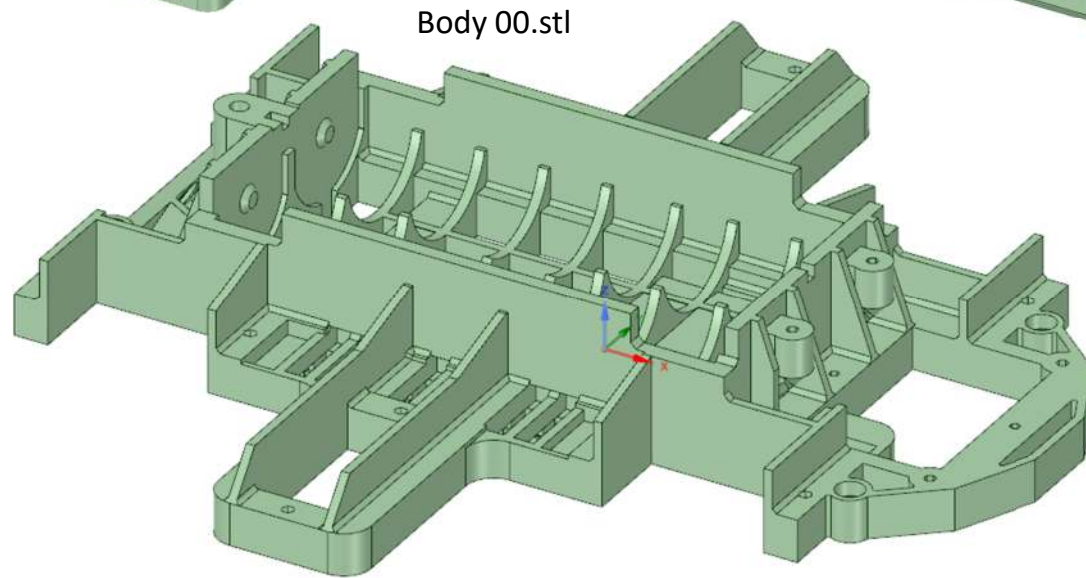
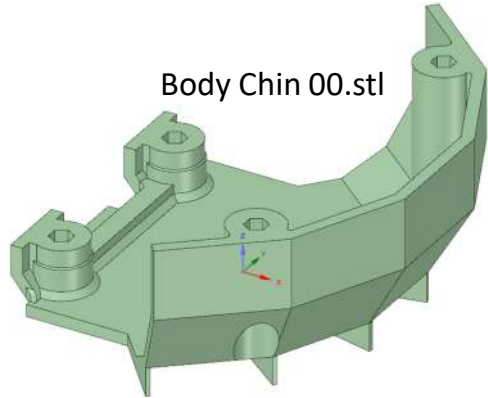
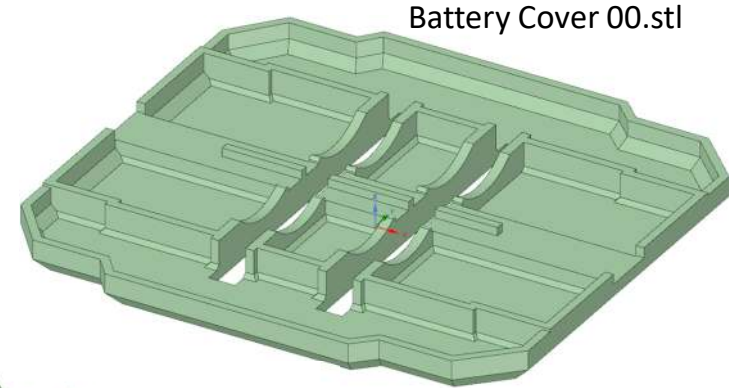
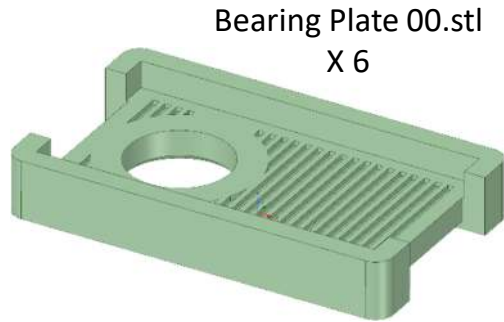
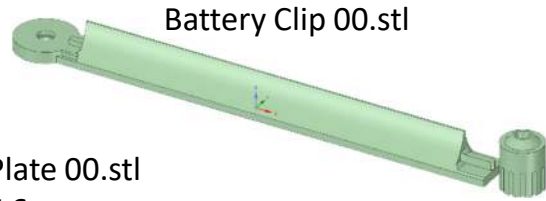
## 3D Parts



# Printed Parts

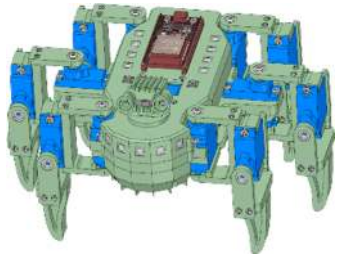


This should help you identify all of the parts needed to build the robot.

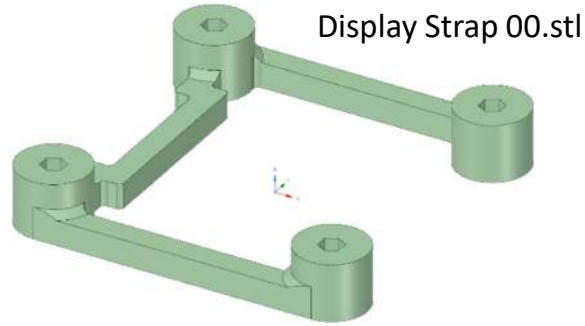


Models are not to scale

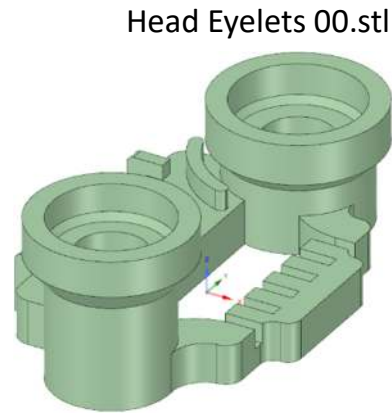
# Printed Parts



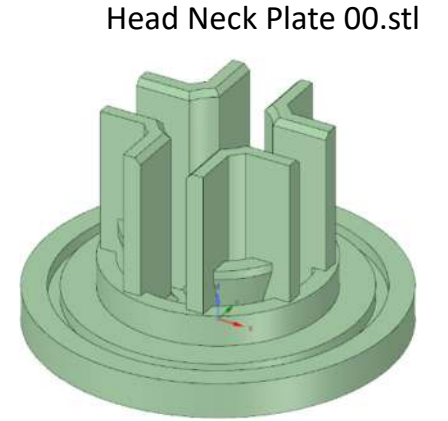
This should help you identify all of the parts needed to build the robot.



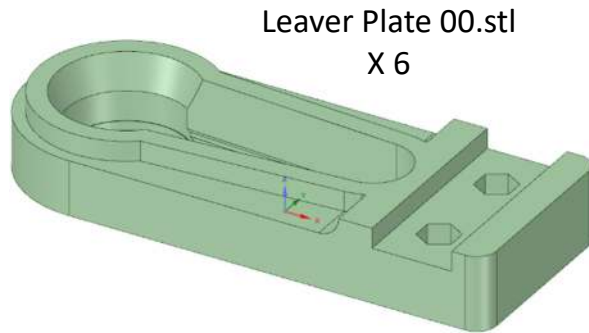
Display Strap 00.stl



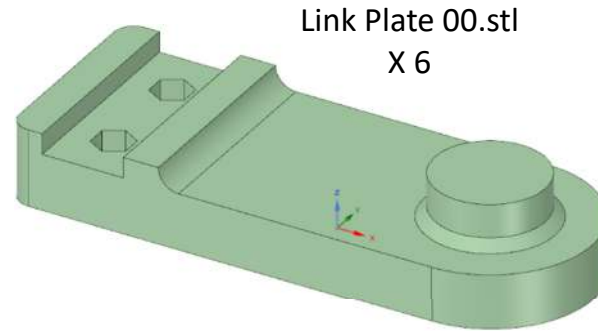
Head Eyelets 00.stl



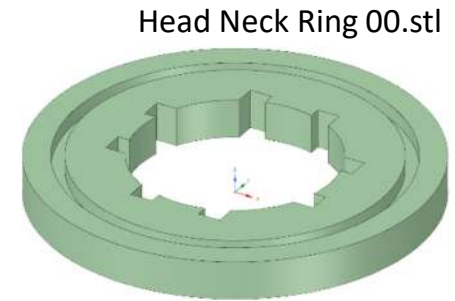
Head Neck Plate 00.stl



Leaver Plate 00.stl  
X 6

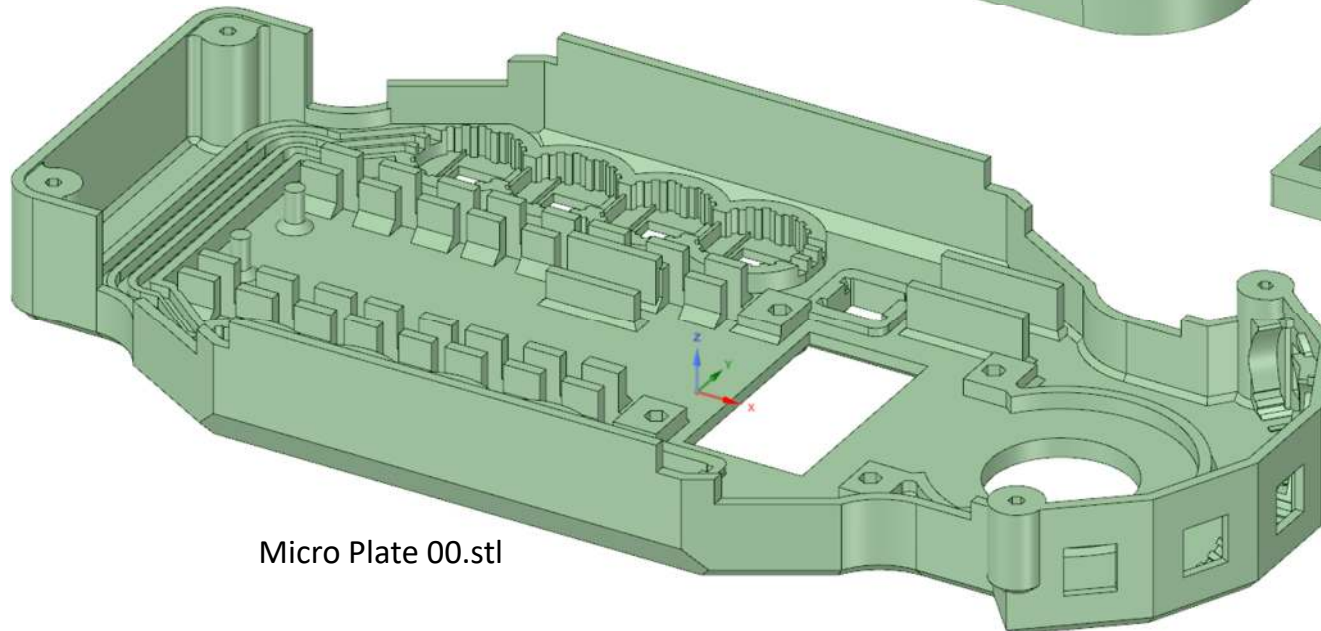
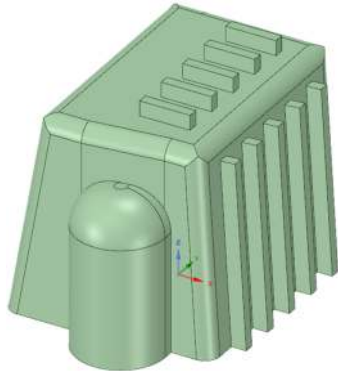


Link Plate 00.stl  
X 6

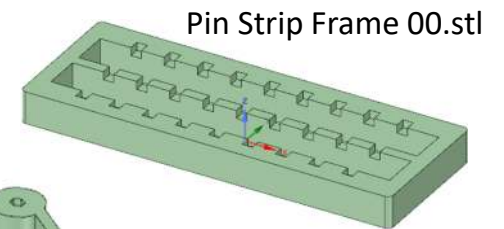


Head Neck Ring 00.stl

Head Skull 00.stl



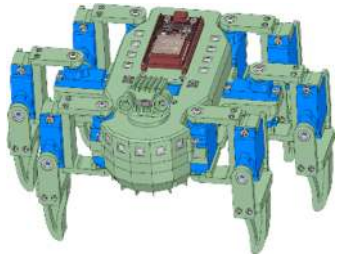
Micro Plate 00.stl



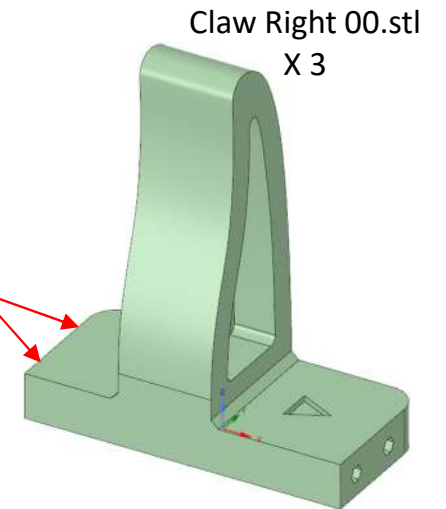
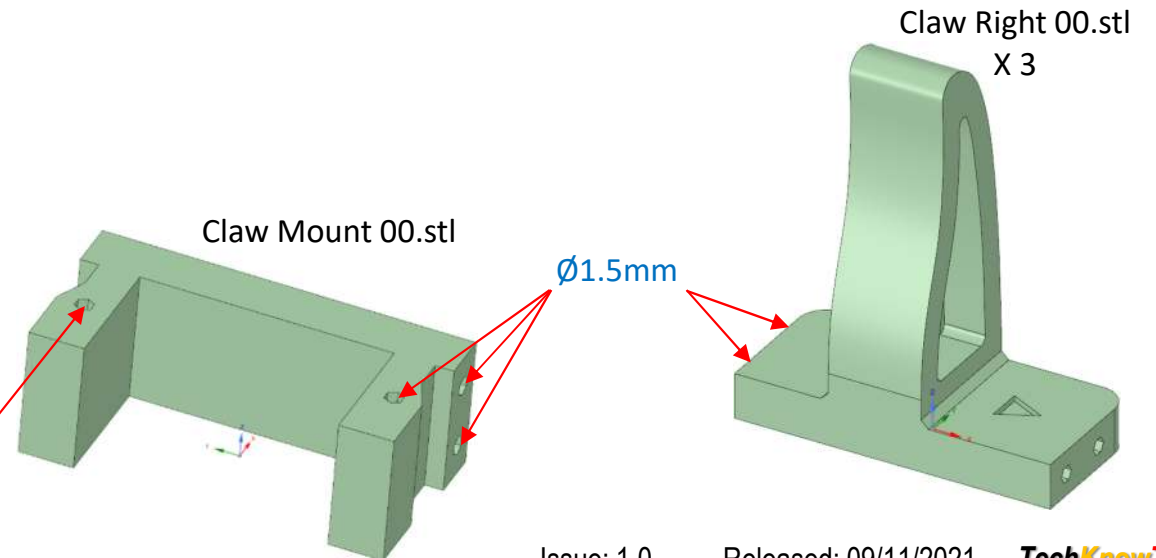
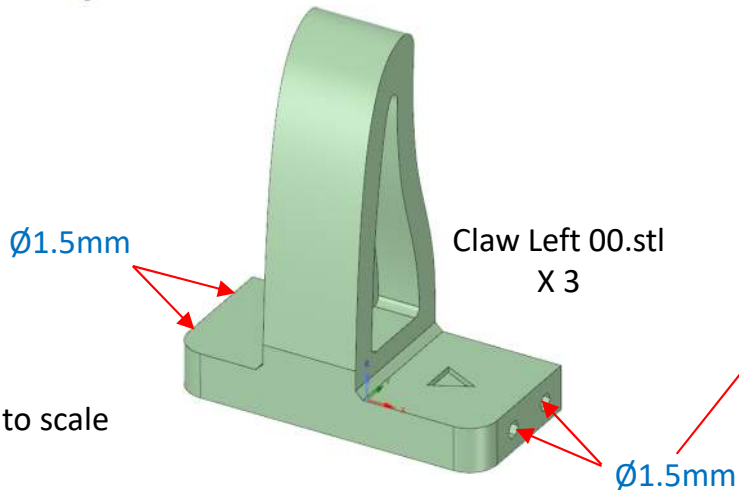
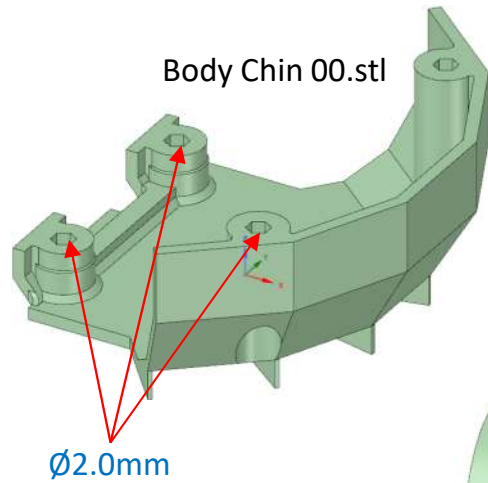
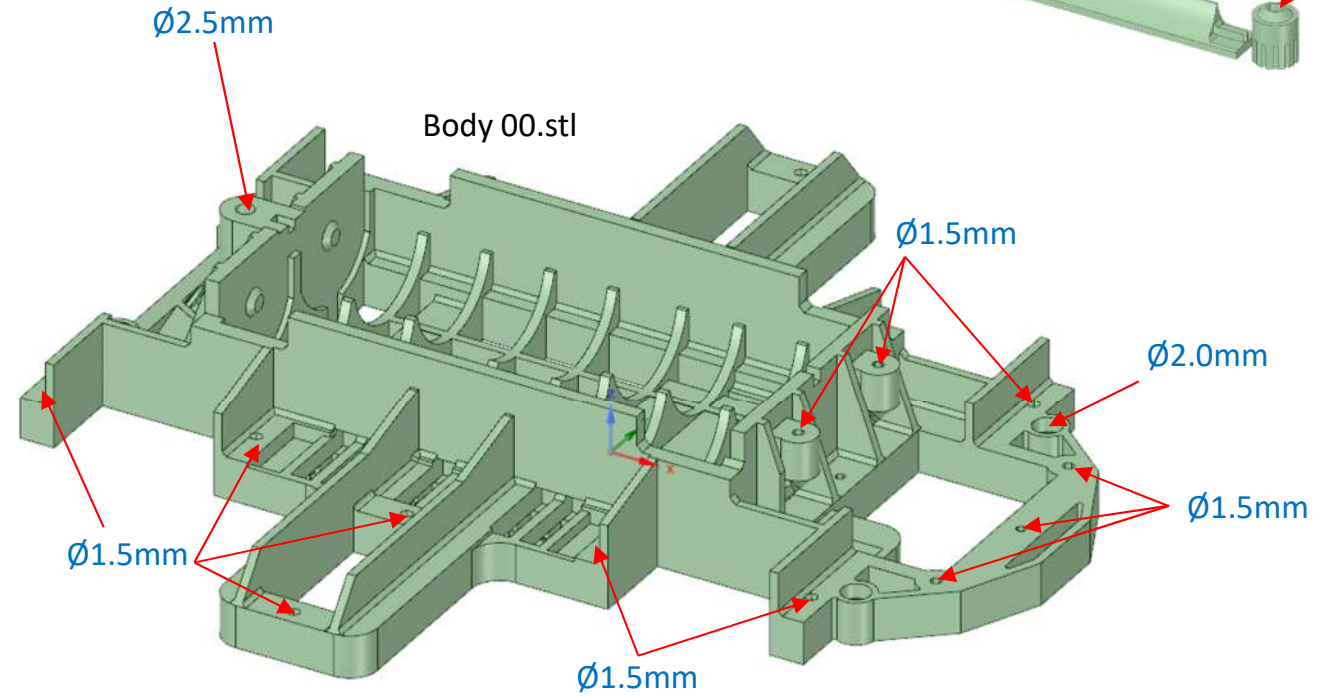
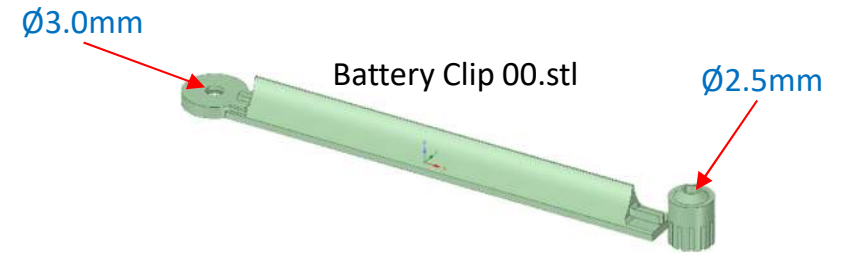
Pin Strip Frame 00.stl

Models are not to scale

# Drill Sizes

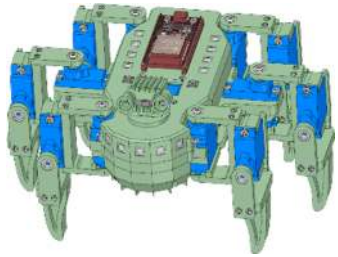


This should help you identify all of the pilot drill and clearance hole sizes.

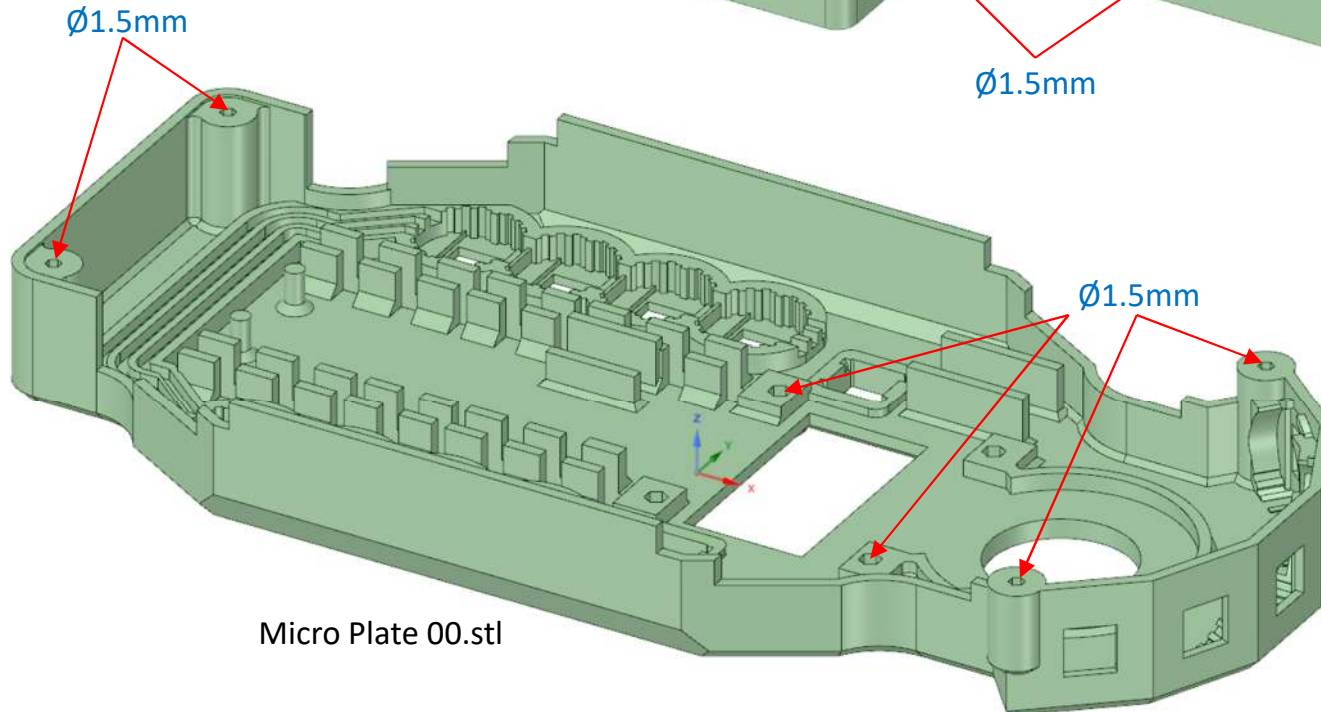
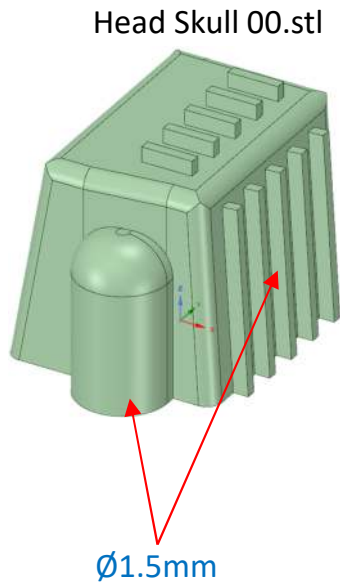
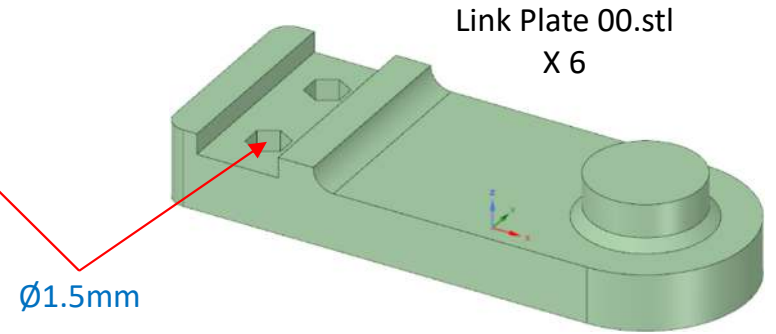
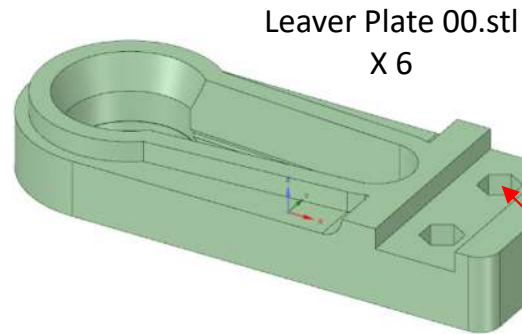
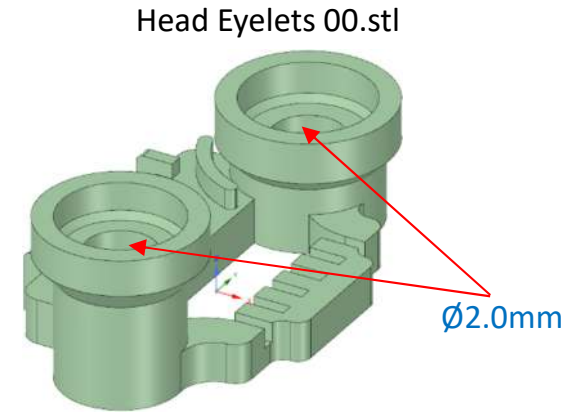
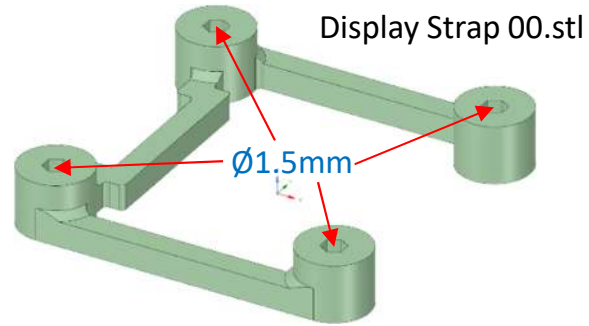


Models are not to scale

# Drill Sizes

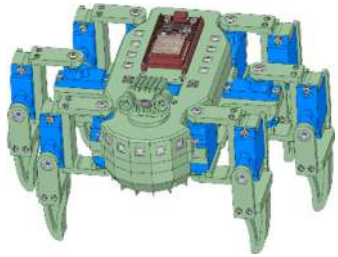


This should help you identify all of the pilot drill and clearance hole sizes.



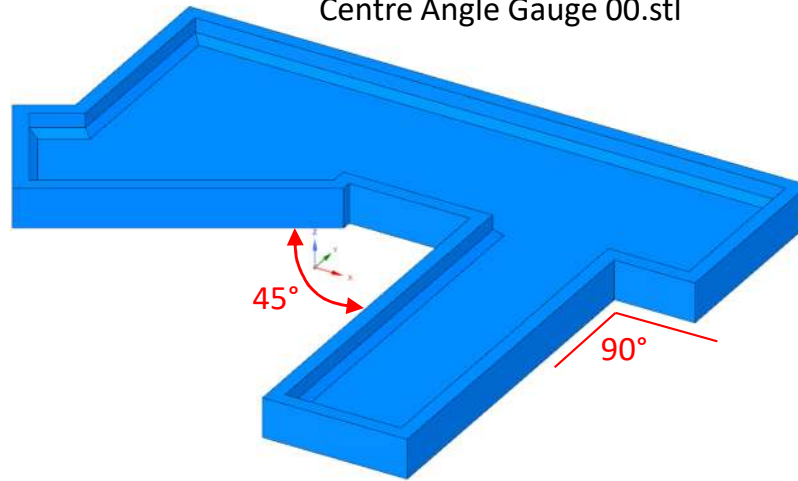
Models are not to scale

# Printed Parts – Calibration Aids

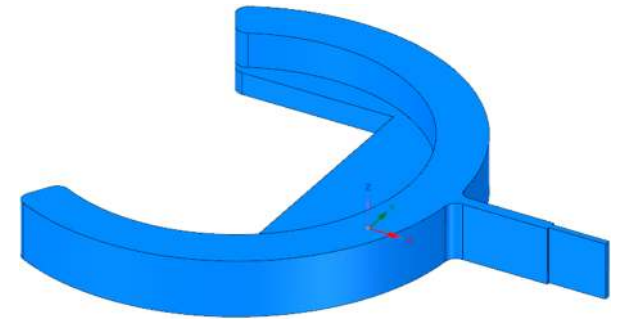


This should help you identify all of the parts needed to calibrate your HexBot2.

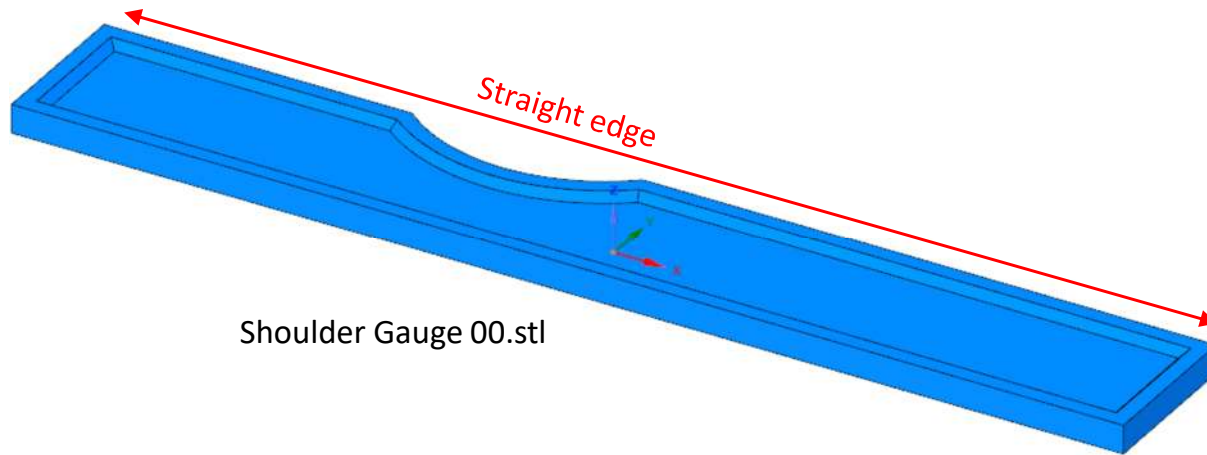
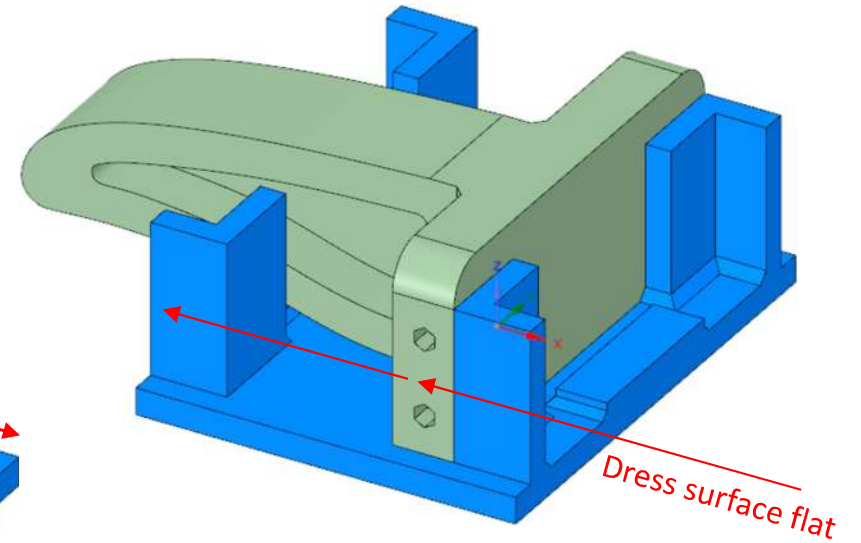
Centre Angle Gauge 00.stl



Head Angle Gauge 00.stl



Tool – Dressing Aid.stl

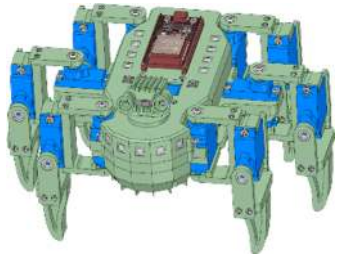


Shoulder Gauge 00.stl

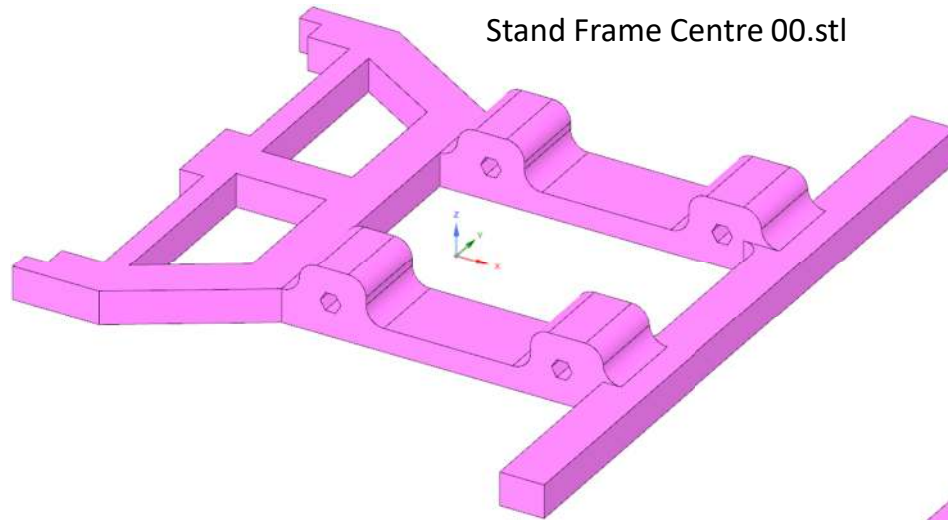
Models are not to scale

# Printed Parts – Base Stand

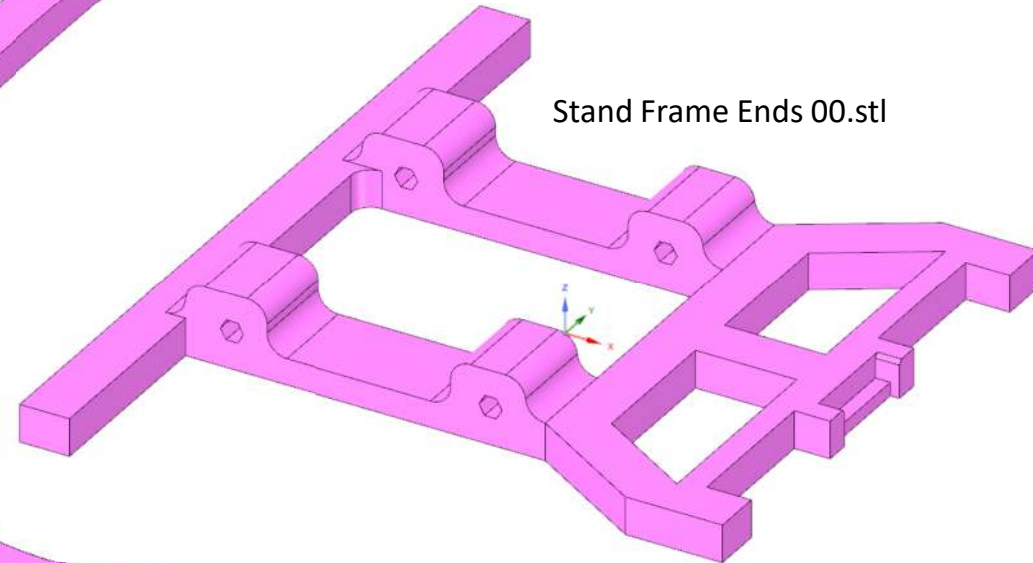
Note: This stand allows the HedxBot2 to be supported whilst calibrating leg angles.



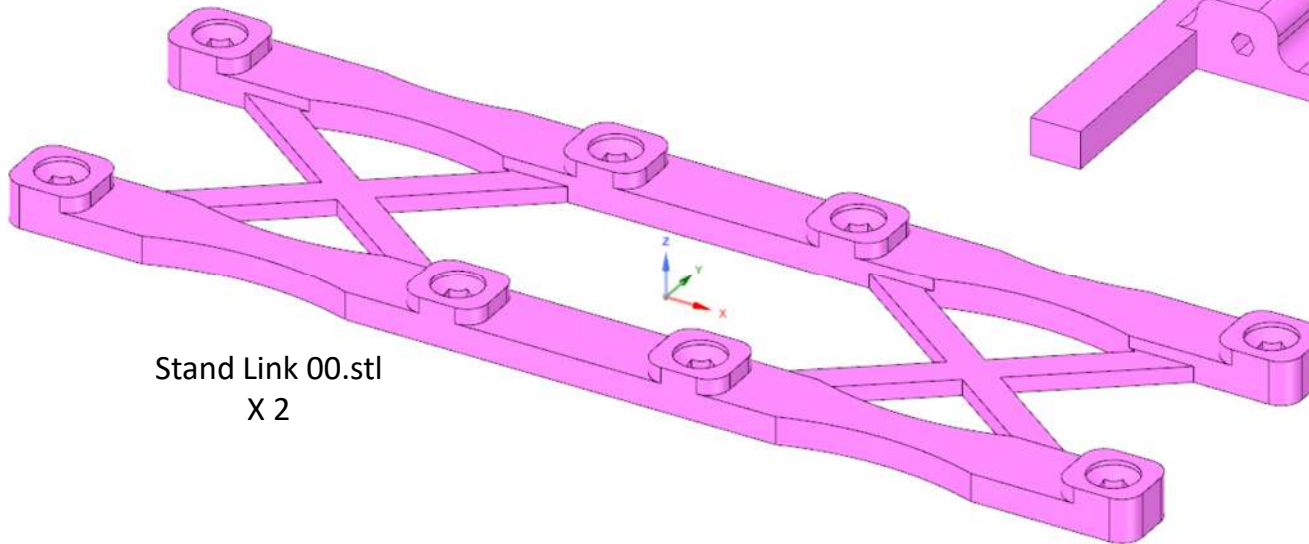
This should help you identify all of the parts needed to build the robot.



Stand Frame Centre 00.stl



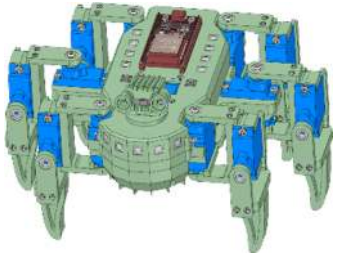
Stand Frame Ends 00.stl



Stand Link 00.stl  
X 2

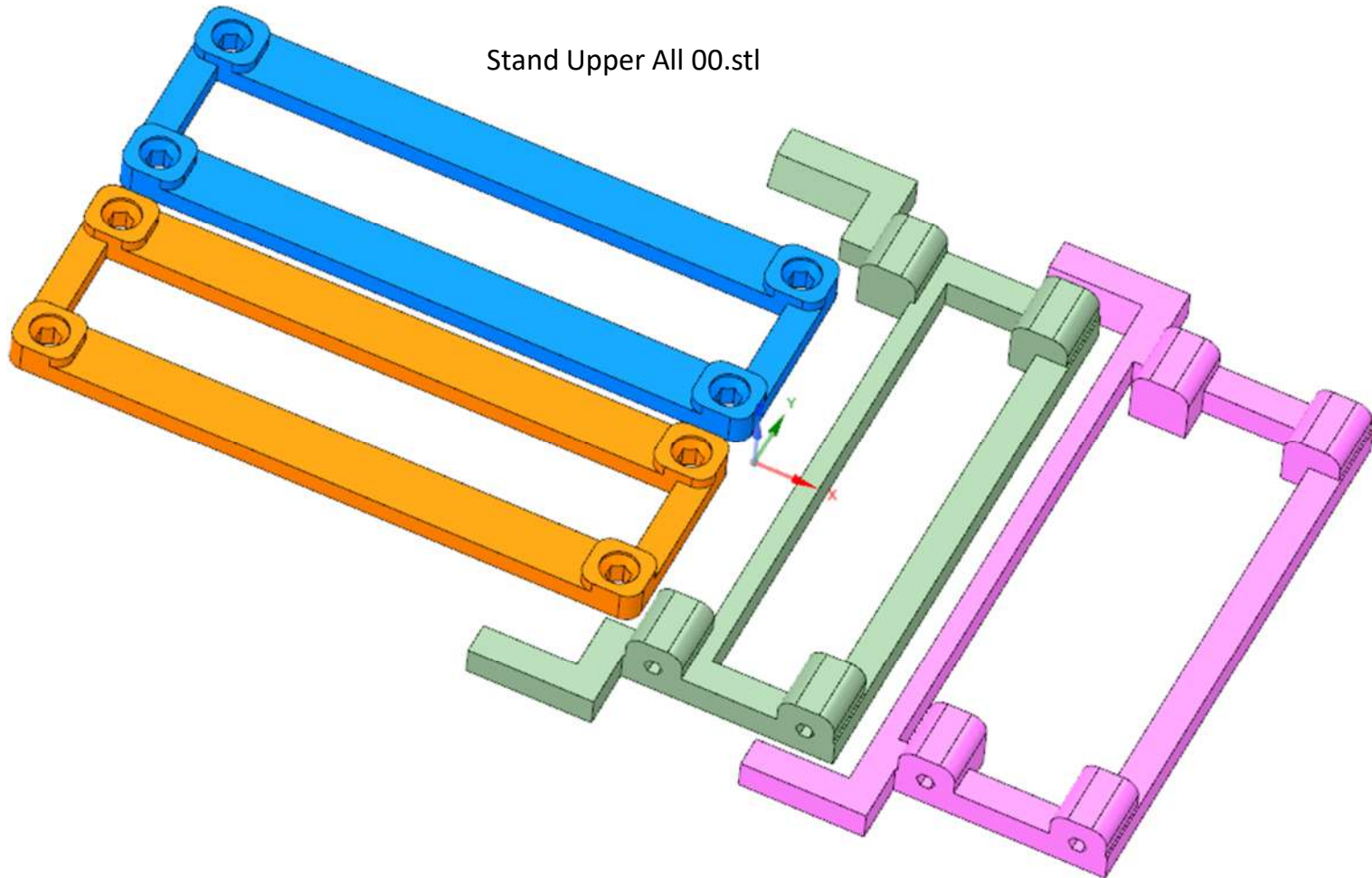
Models are not to scale

# Printed Parts – Upper Stand



This should help you identify all of the parts needed to build the robot.

Note: This stand allows the HedxBot2 to be supported whilst being placed upside down on its back.



Models are not to scale